

Miniature resistance thermometer, model TR33

EN

Miniatur-Widerstandsthermometer, Typ TR33

DE

Sonde à résistance miniature, type TR33

FR

Termorresistencia miniatura, modelo TR33

ES



Miniature resistance thermometer, model TR33

EN	Operating instructions model TR33	Page	3 - 32
DE	Betriebsanleitung Typ TR33	Seite	33 - 64
FR	Mode d'emploi type TR33	Page	65 - 96
ES	Manual de instrucciones modelo TR33	Página	97 - 127

© 01/2014 WIKA Alexander Wiegand SE & Co. KG
All rights reserved. / Alle Rechte vorbehalten.
WIKA® is a registered trademark in various countries.
WIKA® ist eine geschützte Marke in verschiedenen Ländern.

Prior to starting any work, read the operating instructions!
Keep for later use!

Vor Beginn aller Arbeiten Betriebsanleitung lesen!
Zum späteren Gebrauch aufbewahren!

Lire le mode d'emploi avant de commencer toute opération !
A conserver pour une utilisation ultérieure !

¡Leer el manual de instrucciones antes de comenzar cualquier trabajo!
¡Guardar el manual para una eventual consulta!

Contents

1. General information	4
2. Design and function	4
3. Safety	8
4. Transport, packaging and storage	11
5. Commissioning and operation	12
6. Configuration	18
7. Configuration software WIKAsoft-TT	19
8. Connecting the PU-548 programming unit	21
9. Faults	21
10. Maintenance, cleaning and calibration	23
11. Dismounting, return and disposal	25
12. Specifications	27
Annex: CSA control drawing	128

Declarations of conformity can be found online at www.wika.com.

1. General information

- The instrument described in the operating instructions has been designed and manufactured using state-of-the-art technology. All components are subject to stringent quality and environmental criteria during production. Our management systems are certified in accordance with ISO 9001 and ISO 14001.
- These operating instructions contain important information on handling the instrument. Working safely requires that all safety instructions and work instructions are observed.
- Observe the relevant local accident prevention regulations and general safety regulations for the instrument's range of use.
- The operating instructions are part of the product and must be kept in the immediate vicinity of the instrument and readily accessible to skilled personnel at any time. Pass the operating instructions on to the next operator or owner of the instrument.
- Skilled personnel must have carefully read and understood the operating instructions prior to beginning any work.
- In case of a different interpretation of the translated and the English operating instructions, the English wording shall prevail.
- If available, the provided supplier documentation is also considered to be part of the product in addition to these operating instructions.
- The general terms and conditions contained in the sales documentation shall apply.
- Subject to technical modifications.
- Further information:
 - Internet address: www.wika.de / www.wika.com
 - Relevant data sheet: TE 60.33
 - Application consultant: Tel.: +49 9372 132-0
info@wika.com

2. Design and function

2.1 Description

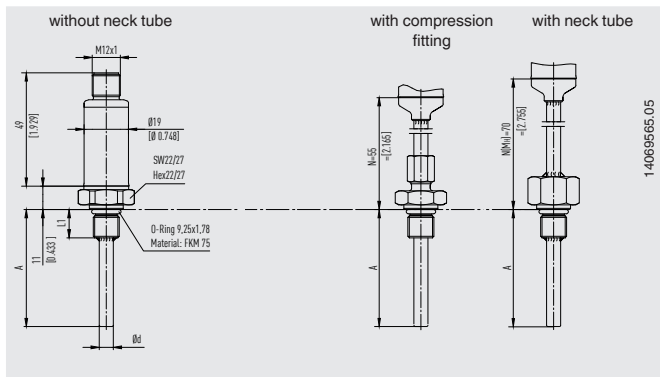
The model TR33 resistance thermometer consists of a protection tube with a fixed process connection and is screwed directly into the process.

If the resistance thermometer is to be operated in an additional protection tube, a spring-loaded compression fitting must be used.

2. Design and function

■ Process connection with parallel thread (7/16-20 UNF-2A) and O-ring

EN



The FKM O-ring must be protected from temperatures lower than -20 °C [-4 °F] and higher than 125 °C [257 °F].

At a process temperature of $> 150\text{ °C}$ [302 °F], a neck length N (M_H) of 70 mm [2.76 in] is necessary, otherwise N (M_H) selectable (55 [2.17 in], 65 [2.56 in] or 70 mm [2.76 in]).

Legend:

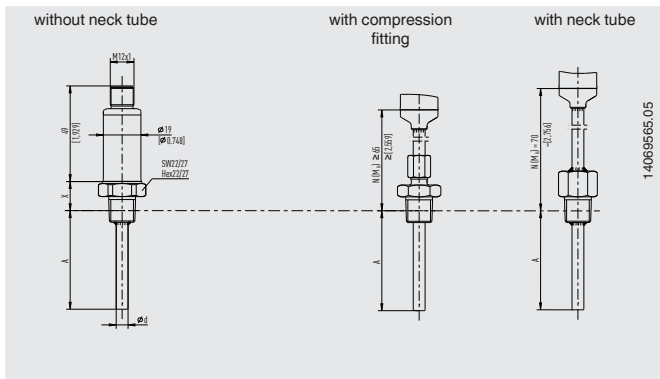
A (U_1) Insertion length

N (M_H) Neck length

$\varnothing d$ Protection tube diameter

2. Design and function

■ Process connection with tapered thread



At a process temperature of $> 150\text{ °C}$ [302 °F], a neck length $N (M_H)$ of 70 mm [2.76 in] is necessary, otherwise $N (M_H)$ selectable (55 [2.17 in], 65 [2.56 in] or 70 mm [2.76 in]).

Legend:

A (U_2) Insertion length

N (M_H) Neck length

X Height process connection

Ød Protection tube diameter

X Height process connection

1/4 NPT = 15 mm [0.59 in]

1/2 NPT = 19 mm [0.75 in]

2.3 Scope of delivery

Cross-check scope of delivery with delivery note.

3. Safety

3. Safety

3.1 Explanation of symbols

EN



WARNING!

... indicates a potentially dangerous situation that can result in serious injury or death, if not avoided.



CAUTION!

... indicates a potentially dangerous situation that can result in light injuries or damage to property or the environment, if not avoided.



DANGER!

... identifies hazards caused by electric power. Should the safety instructions not be observed, there is a risk of serious or fatal injury.



WARNING!

... indicates a potentially dangerous situation that can result in burns, caused by hot surfaces or liquids, if not avoided.



Information

... points out useful tips, recommendations and information for efficient and trouble-free operation.

3.2 Intended use

The model TR33 resistance thermometer is used as a general-purpose thermometer for the measurement of temperatures from -50 ... +150 °C [-58 ... +302 °F] (without neck tube) and -50 ... +250 °C [-58 ... +482 °F] (with neck tube) in liquid and gaseous media. They can be used for pressures up to 140 bar [2,030 psi] with 3 mm [0.12 in] protection tube diameters and up to 270 bar [3,916 psi] with 6 mm [0.24 in] protection tube diameters, depending on the instrument version.

3. Safety

The thermometer is suitable for indoor and outdoor use.

The instrument has been designed and built solely for the intended use described here, and may only be used accordingly.

The technical specifications contained in these operating instructions must be observed. Improper handling or operation of the instrument outside of its technical specifications requires the instrument to be taken out of service immediately and inspected by an authorised WIKA service engineer.

The manufacturer shall not be liable for claims of any type based on operation contrary to the intended use.

3.3 Personnel qualification



WARNING!

Risk of injury should qualification be insufficient!

Improper handling can result in considerable injury and damage to property.

- ▶ The activities described in these operating instructions may only be carried out by skilled personnel who have the qualifications described below.
- ▶ Keep unqualified personnel away from hazardous areas.

Skilled electrical personnel

Skilled electrical personnel are understood to be personnel who, based on their technical training, know-how and experience as well as their knowledge of country-specific regulations, current standards and directives, are capable of carrying out work on electrical systems and independently recognising and avoiding potential hazards. The skilled electrical personnel have been specifically trained for the work environment they are working in and know the relevant standards and regulations. The skilled electrical personnel must comply with current legal accident prevention regulations.

Special operating conditions require further appropriate knowledge, e.g.

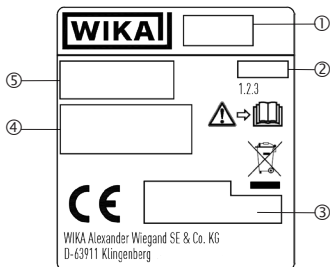
3. Safety

of aggressive media.

3.4 Labelling, safety marks

EN

Product labels (example)



- ① Model
- ② Date of manufacture (year-month)
- ③ Approval logos
- ④ Information on version (measuring element, output signal, measuring range...)
 - With transmitter and 4 ... 20 mA output signal
 - With direct sensor output with Pt100 and Pt1000
- ⑤ Serial number, tag number



Before mounting and commissioning the instrument, ensure you read the operating instructions



Do not dispose of with household waste. Ensure a proper disposal in accordance with national regulations..

4. Transport, packaging and storage

EN

4. Transport, packaging and storage

4.1 Transport

Check the instrument for any damage that may have been caused by transport.

Obvious damage must be reported immediately and damaged instruments must not be used.



CAUTION!

Damage through improper transport

With improper transport, a high level of damage to property can occur.

- ▶ When unloading packed goods upon delivery as well as during internal transport, proceed carefully and observe the symbols on the packaging.
- ▶ With internal transport, observe the instructions in chapter 4.2 "Packaging", 4.3 "Storage".

If the instrument is transported from a cold into a warm environment, the formation of condensation may result in instrument malfunction. Before putting it back into operation, wait for the instrument temperature and the room temperature to equalise.

4.2 Packaging

Do not remove packaging until just before mounting.

Keep the packaging as it will provide optimum protection during transport (e.g. change in installation site, sending for repair).

4.3 Storage

Permissible conditions at the place of storage:

- Storage temperature: -40 ... +85 °C [-40 ... +185 °F]
- Humidity: 5 ... 95 % r. h.

Avoid exposure to the following factors:

- Direct sunlight or proximity to hot objects
- Mechanical vibration, mechanical shock (putting it down hard)
- Soot, vapour, dust and corrosive gases
- Hazardous environments, flammable atmospheres

4. Transport ... / 5. Commissioning, operation

Store the instrument in its original packaging in a location that fulfils the conditions listed above. If the original packaging is not available, pack and store the instrument as described below:

EN

1. Wrap the instrument in an antistatic plastic film.
2. Place the instrument, along with shock-absorbent material, in the packaging.
3. If stored for a prolonged period of time (more than 30 days), place a bag containing a desiccant inside the packaging.

5. Commissioning and operation



WARNING!

Avoid putting any mechanical loading on the electrical connections and on the cases. Connections must only be opened once the instrument has been depressurised and has cooled down.

Maximum permissible temperatures:

- At the case with transmitter: 85 °C [185 °F]
- Class A:
 - Without neck tube -30 ... +150 °C [-22 ... +302 °F]
 - With neck tube -30 ... +250 °C [-22 ... +482 °F]
- Class B:
 - Without neck tube -50 ... +150 °C [-58 ... +302 °F]
 - With neck tube -50 ... +250 °C [-58 ... +482 °F]

5.1 Mounting

These resistance thermometers are designed for screw-fitting directly into the process. The insertion length, along with the flow rate and viscosity of the process media, may reduce the max. loading on the protection tube.

If the resistance thermometer is to be operated in an additional protection tube, a spring-loaded compression fitting must be used.

The case must be grounded against electromagnetic fields and electrostatic charge. It is not necessary to connect the case separately to

5. Commissioning und operation

the equipotential bonding system, provided that it has a fixed and secure contact to the metallic vessel, its components or pipes, and that these are connected to the equipotential bonding system.

When there is a non-metal contact with the vessel, or with its structural components or piping, the instrument must be provided with equipotential bonding.

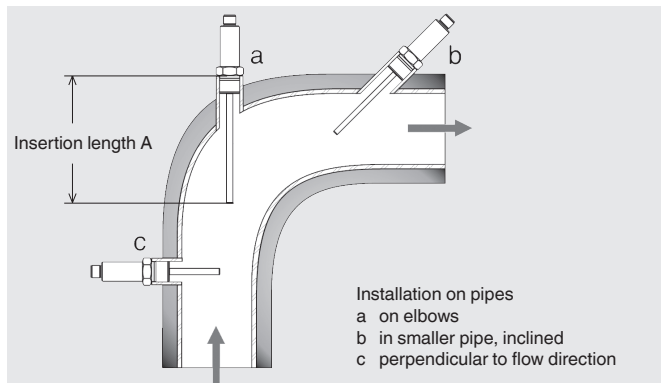
EN



WARNING!

Neither repairs nor structural modifications are permitted, and any would void the guarantee.

Installation examples



For information on tapped holes, refer to DIN 3852 or for NPT threads to ANSI B 1.20.

5. Commissioning und operation

5.1.1 Tightening torques for compression fittings

Sealing	Turns	Max. pressure in bar
Stainless steel ferrule	1 ¼ ... 1 ½	100
Stainless steel bite-type ferrule	1 ¼ ... 1 ½	100
PTFE ferrule	1 ¼ ... 1 ½	8

5.1.2 Tightening torque for the M12 mating connector or the M12 adapter

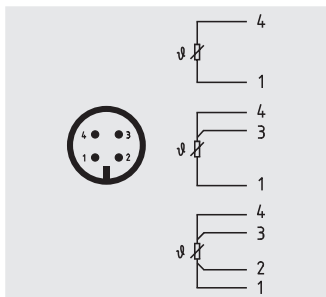
Select a tightening torque of 0.6 Nm.

5.2 Electrical connection

Depending on the type of application, the electrical connection must be protected from mechanical damage.

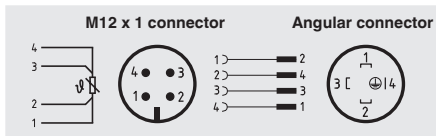
The electrical connection is made via an M12 x 1 circular connector (4-pin).

- Pt100 and Pt1000 output signal (standard)



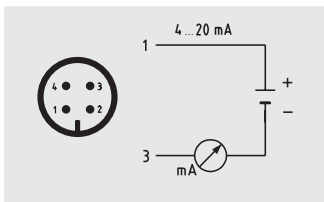
Alternative pin assignments possible. For further information see order documentation.

Accessories: M12 x 1 Pt adapter to EN 175301-803 angular connector



5. Commissioning und operation

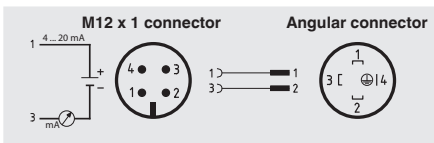
- Output signal 4 ... 20 mA (standard)



Pin	Signal	Description
1	L+	10 ... 30 V
2	VQ	not connected
3	L-	0 V
4	C	not connected

Alternative pin assignments possible. For further information see order documentation.

Accessories: Transmitter adapter M12 x 1 to DIN EN 175301-803 angular connector



Pin assignment angular connector

Pin	Signal	Description
1	L+	10 ... 30 V
2	L-	0 V
3	VQ	not connected
4	C	not connected

5. Commissioning und operation



DANGER!

Danger to life caused by electric current

Upon contact with live parts, there is a direct danger to life.

- ▶ The instrument may only be installed and mounted by skilled personnel.
- ▶ Operation using a defective power supply unit (e.g. short-circuit from the mains voltage to the output voltage) can result in life-threatening voltages at the instrument!
- ▶ Carry out installation in de-energised state only.

EN

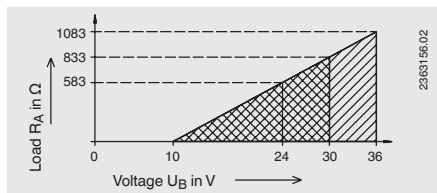
This is protection class 3 equipment for connection at low voltages, which are separated from the mains voltage or voltages of greater than AC 50 V or DC 120 V. Preferably, a connection to an SELV or PELV circuit is recommended; alternatively protective measures from IEC 60346-4-41 (DIN VDE 0100-410).

Alternatively for North America

The connection can be made in line with “Class 2 Circuits” or “Class 2 Power Units” in accordance with CEC (Canadian Electrical Code) or NEC (National Electrical Code).

Load diagram

The permissible load depends on the loop supply voltage. For communication with the instrument with programming unit PU-548, a max. load of 350 Ω is admissible.



5. Commissioning und operation

EN

Do not exceed the following values:

■ Version with 4 ... 20 mA output signal

Power supply and current loop circuit (connections)

Voltage	U_i	DC 30 V
Current	I_i	120 mA
Effective internal capacitance	C_i	6.2 nF
Effective internal inductance	L_i	110 μ H

Sensor circuit

Power	P_o	37.5 mW
Ambient temperature		-40 ... +85 °C [-40 ... +185 °F]
The maximum self-heating at the probe tip is 4 K		

■ Version with Pt100 and Pt1000 output signal

Sensor circuit

Voltage	U_i	DC 30 V
Current	I_i	550 mA
Effective internal capacitance		negligibly small
Effective internal inductance		negligibly small
Ambient temperature		-40 ... +85 °C [-40 ... +185 °F]

5.3 Behaviour of the 4 ... 20 mA electrical output signal

■ Sensor break and short-circuit

Sensor break or short-circuit are signalled after positive detection (after approx. 1 second). If this fault condition has been caused by a malfunction, then a relevant measuring signal must exist for approx. 1 second in order to return to measuring mode. From the time of the error detection up to the error signalling, the last relevant measured value will be delivered on the current loop.

Therefore, in the event of a “true” sensor break or short-circuit, this is also signalled permanently. In the event of a “false” sensor break or short-circuit, the transmitter has the possibility of reverting to measuring mode.

5. Commissioning and operation / 6. Configuration

■ Medium temperature outside of the span

If the medium temperature exceeds that configured within the transmitter an error will be signalled.

EN

6. Configuration

Configuration is carried out using a USB interface with a PC via the model PU-548 programming unit (accessories, order number: 14231581). The connection with the thermometer is made via the appropriate adapter cable (accessories: M12 x 1 circular connector, order number: 14003193).

Measuring range, dampening, error signalling, Tag no. and other parameters can be adjusted (see configuration software).



- Easy to use
- LED status display
- Compact design
- No further voltage supply is needed for either the programming unit or for the transmitter

(replaces programming unit model PU-448)

The measuring range is configurable between $-50 \dots +250 \text{ }^{\circ}\text{C}$ [$-58 \dots +482 \text{ }^{\circ}\text{F}$]. The configuration software checks the required measuring range and will only accept permissible values. Intermediate values are configurable - the smallest increment is $0.1 \text{ }^{\circ}\text{C}$ or $0.1 \text{ }^{\circ}\text{F}$. The thermometers are delivered configured to customer specifications within the configurable limits.

Please note:

The measuring range of the thermometer is limited by the application range of the measuring element, not by the setting range of the transmitter.

Maximum permissible temperatures:

- At the case with transmitter: $85 \text{ }^{\circ}\text{C}$ [$185 \text{ }^{\circ}\text{F}$]
- Class A: Without neck tube $-30 \dots +150 \text{ }^{\circ}\text{C}$ [$-22 \dots +302 \text{ }^{\circ}\text{F}$]

6. Configuration / 7. Configuration software ...

- With neck tube -30 ... +250 °C [-22 ... +482 °F]
- Class B: Without neck tube -50 ... +150 °C [-58 ... +302 °F]
- With neck tube -50 ... +250 °C [-58 ... +482 °F]

EN

7. Configuration software WIKAsoft-TT

For installation please follow the instructions of the installation routine.

7.1 Starting the software

Start the configuration software by double-clicking on the WIKAsoft-TT icon.

After starting the software, the language can be changed by selecting the flag of the country in question. The selection of the COM port is made automatically.



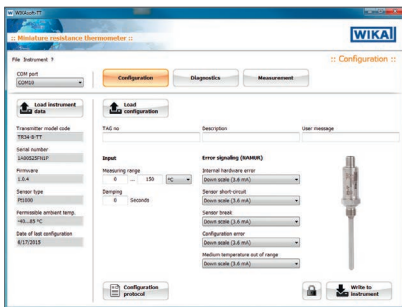
After the connection of a transmitter (using the PU-548), on pressing the “Start” button, the configuration interface is loaded.

The configuration interface can only be loaded when an instrument is connected.

7.2 Configuration procedure

Steps 1 and 2 are carried out automatically when starting the software

1. “Loading instrument data”
2. “Loading configuration”
3. [optional] Cancel write protection (“key” symbol at the bottom right)
4. Change the required parameters
→ Sensor/Measuring range/Error signalling etc.



7. Configuration software WIKAsoft-TT

5. "Save to the instrument"
6. [optional] Activate write protection
7. [optional] Print configuration history
8. [optional] Test: "Loading configuration" → Check configuration

EN

7.3 Fault diagnosis

Here, in the event of an "error detected by the transmitter", the error message is displayed.

Examples: Sensor break, permitted highest temperature exceeded, etc. In normal operation, "No fault - No maintenance requirement" is displayed here.

7.4 Measured values

Line recorder - Here the measured value progression is represented in the format of a chart recorder with a constant sampling rate in a defined time interval (180 seconds) and a variable temperature axis.

The display purely serves as a functional check and for information. An export of the data is not possible.

7.5 Configuring several instruments identically

■ First instrument

1. "Loading configuration"
2. [optional] Cancel write protection ("key" symbol at the bottom right)
3. Change the required parameters
4. "Save to the instrument"
5. [optional] Activate write protection

■ All following instruments

1. "Loading instrument data"
2. [optional] Cancel write protection
3. [optional] Change the required parameters, e.g. Tag number
4. "Save to the instrument"
5. [optional] Activate write protection

8. Connecting the PU-548 ... / 9. Faults

8. Connecting the PU-548 programming unit

Connection PU-548 ↔ adapter cable with M12 connector



(predecessor, programming unit model PU-448, also compatible)

9. Faults



CAUTION!

Physical injuries and damage to property and the environment

If faults cannot be eliminated by means of the measures listed above, the instrument must be taken out of operation immediately.

- ▶ Ensure that pressure or signal is no longer present and protect against accidental commissioning.
- ▶ Contact the manufacturer.
- ▶ If a return is needed, please follow the instructions given in chapter 11.2 "Return".

9. Faults



WARNING!

Physical injuries and damage to property and the environment caused by hazardous media

Upon contact with hazardous media (e.g. oxygen, acetylene, flammable or toxic substances), harmful media (e.g. corrosive, toxic, carcinogenic, radioactive), and also with refrigeration plants and compressors, there is a danger of physical injuries and damage to property and the environment.

Should a failure occur, aggressive media with extremely high temperature and under high pressure or vacuum may be present at the instrument.

- ▶ For these media, in addition to all standard regulations, the appropriate existing codes or regulations must also be followed.



For contact details see chapter 1 “General information” or the back page of the operating instructions.

Faults	Causes	Measures
No signal/cable break	Mechanical load too high or overtemperature	Replace the probe with a suitable version
Erroneous measured values	Sensor drift caused by overtemperature	Replace the probe with a suitable version
	Sensor drift caused by chemical attack	Analyse the medium
Erroneous measured values (too low)	Entry of moisture into cable	Use the appropriate IP protection
Erroneous measured values and response times too long	Wrong mounting geometry, for example mounting depth too small or heat dissipation too high	The temperature-sensitive area of the sensor must be inside the medium, and surface measurements must be ungrounded
	Deposits on the protection tube	Remove deposits

9. Faults / 10. Maintenance, cleaning and ...

Faults	Causes	Measures
Temporary or sporadic interruptions of the measured value signal	Cable break in connection cable or loose contact caused by mechanical overload	Replace the probe or use thicker conductor cross-section
Corrosion	Composition of the medium not as expected or modified	Analyse the medium
Signal interference	Stray currents caused by electric fields or earth circuits	Use of shielded connection leads, increase in the distance to motors and power lines
	Earth circuits	Elimination of potentials, use of galvanically isolated barriers or transmitters

EN

10. Maintenance, cleaning and calibration



For contact details see chapter 1 “General information” or the back page of the operating instructions.

10.1 Maintenance

The resistance thermometers described here require absolutely no maintenance and contain no components which could be repaired or replaced.

10. Maintenance, cleaning, calibration

10.2 Cleaning

EN



CAUTION!

Physical injuries and damage to property and the environment

Improper cleaning may lead to physical injuries and damage to property and the environment. Residual media in the dismantled instrument can result in a risk to persons, the environment and equipment.

- ▶ Carry out the cleaning process as described below.
- ▶ Prior to cleaning, properly disconnect the instrument.
- ▶ Clean the instrument with a moist cloth.
- ▶ Electrical connections must not come into contact with moisture!



CAUTION!

Damage to the instrument

Improper cleaning may lead to damage to the instrument!

- ▶ Do not use any aggressive cleaning agents.
- ▶ Do not use any hard or pointed objects for cleaning.
- ▶ Wash or clean the dismantled instrument, in order to protect persons and the environment from exposure to residual media.

10.3 Calibration, recalibration

It is recommended that the instrument is recalibrated at regular intervals (of approx. 24 months). This period can reduce, depending on the particular application. The calibration can be carried out by the manufacturer, as well as on-site by qualified skilled personnel with calibration instruments.

11. Dismounting, return and disposal

EN

11. Dismounting, return and disposal

11.1 Dismounting



WARNING!

Physical injuries and damage to property and the environment through residual media

Upon contact with hazardous media (e.g. oxygen, acetylene, flammable or toxic substances), harmful media (e.g. corrosive, toxic, carcinogenic, radioactive), and also with refrigeration plants and compressors, there is a danger of physical injuries and damage to property and the environment.

- ▶ Before storage of the dismantled instrument (following use) wash or clean it, in order to protect persons and the environment from exposure to residual media.
- ▶ Use the required protective equipment (depending on the application; the thermometer itself is basically not dangerous).
- ▶ Observe the information in the material safety data sheet for the corresponding medium.

Only disconnect the resistance thermometer once the system has been depressurised!



WARNING!

Risk of burns

During dismantling there is a risk of dangerously hot media escaping.

- ▶ Let the instrument cool down sufficiently before dismantling it!

11.2 Return

Strictly observe the following when shipping the instrument:

All instruments delivered to WIKA must be free from any kind of hazardous substances (acids, bases, solutions, etc.).

11. Dismounting, return and disposal



WARNING!

Physical injuries and damage to property and the environment through residual media

Residual media in the dismantled instrument can result in a risk to persons, the environment and equipment.

- ▶ With hazardous substances, include the material safety data sheet for the corresponding medium.
- ▶ Clean the instrument, see chapter 10.2 "Cleaning".

When returning the instrument, use the original packaging or a suitable transport packaging.

To avoid damage:

1. Wrap the instrument in an antistatic plastic film.
2. Place the instrument, along with shock-absorbent material, in the packaging.
Place shock-absorbent material evenly on all sides of the transport packaging.
3. If possible, place a bag containing a desiccant inside the packaging.
4. Label the shipment as carriage of a highly sensitive measuring instrument.



Information on returns can be found under the heading "Service" on our local website.

11.3 Disposal

Incorrect disposal can put the environment at risk.

Dispose of instrument components and packaging materials in an environmentally compatible way and in accordance with the country-specific waste disposal regulations.



Do not dispose of with household waste. Ensure a proper disposal in accordance with national regulations.

12. Specifications

EN

12. Specifications

Measuring element

Type of measuring element

Version 4 ... 20 mA (TR33-Z-TT)	Pt1000 (measuring current < 0.3 mA; self-heating can be ignored)
Version Pt100 (TR33-Z-Px) / Pt1000 (TR33-Z-Sx)	<ul style="list-style-type: none">■ Pt100 (measuring current: 0.1 ... 1.0 mA)■ Pt1000 (measuring current: 0.1 ... 0.3 mA)

Connection method

Version 4 ... 20 mA (TR33-Z-TT)	2-wire
Version Pt100 (TR33-Z-Px) / Pt1000 (TR33-Z-Sx)	2-wire
	3-wire
	4-wire

Tolerance value of the measuring element ¹⁾ per IEC 60751

Version 4 ... 20 mA (TR33-Z-TT)	Class A
Version Pt100 (TR33-Z-Px) / Pt1000 (TR33-Z-Sx)	<ul style="list-style-type: none">■ Class A■ Class B at 2-wire

Accuracy specifications (4 ... 20 mA version)

Tolerance value of the measuring element ¹⁾ per IEC 60751	Class A
Measuring deviation of the transmitter per IEC 62828	±0.25 K
Electromagnetic compatibility (EMC) ²⁾	EN 61326 emission (group 1, class B), and immunity (industrial application), configuration at 20 % of the full measuring range
Total measuring deviation per IEC 62828	Measuring deviation of the measuring element + transmitter

12. Specifications

Accuracy specifications (4 ... 20 mA version)

Influence of the ambient temperature	0.1 % of the set measuring span / 10 K T _a
Influence of the supply voltage	±0.025 % / V (depending on the supply voltage U _B)
Influence of the load	±0.05 % / 100 Ω
Linearisation	Linear to temperature per IEC 60751
Output error	±0.1 % ³⁾
Reference conditions	
Ambient temperature T _a ref	23 °C
Supply voltage U _B ref	DC 12 V

- 1) Depending on the process connection, the deviation can be bigger.
- 2) During transient interferences (e.g. burst, surge, ESD) take into account an increased measuring deviation of up to 2 %.
- 3) ±0.2 % for start of measuring range less than 0 °C [32 °F]

Measuring range

Temperature range

Version 4 ... 20 mA (TR33-Z-TT)	Without neck tube -30 ... +150 °C [-22 ... +302 °F] With neck tube -30 ... +250 °C [-22 ... +482 °F] ¹⁾ Version with FKM O-ring: -20 ... +125 °C [-4 ... +257 °F]	
Version Pt100 (TR33-Z-Px) / Pt1000 (TR33-Z-Sx)	Class A	Without neck tube -30 ... +150 °C [-22 ... +302 °F] With neck tube -30 ... +250 °C [-22 ... +482 °F] Version with FKM O-ring: -20 ... +125 °C [-4 ... +257 °F]
	Class B	Without neck tube -50 ... +150 °C [-58 ... +302 °F] With neck tube -50 ... +250 °C [-58 ... +482 °F]
Unit (4 ... 20 mA version)	Configurable °C, °F, K	

12. Specifications

Measuring range

**Temperature at the connector
(Pt100, Pt1000 version)**

Max. 85 °C [185 °F]

**Measuring span
(4 ... 20 mA version)**

Minimum 20 K, maximum 300 K

EN

1) The temperature transmitter should therefore be protected from temperatures over 85 °C [185 °F].

Process connection

Type of process connection

- G ¼ B
- G ⅜ B
- G ½ B
- ¼ NPT
- ½ NPT
- M12 x 1.5
- M20 x 1.5
- 7/16-20 UNF-2A

Protection tube

Protection tube diameter

- 3 mm [0.12 in]
- 6 mm [0.24 in]

Insertion length U_1

- 50 mm [1.97 in]
- 75 mm [2.95 in]¹⁾
- 100 mm [3.94 in]¹⁾
- 120 mm [4.72 in]¹⁾
- 150 mm [5.91 in]¹⁾
- 200 mm [7.87 in]¹⁾
- 250 mm [9.84 in]¹⁾
- 300 mm [11.81 in]¹⁾
- 350 mm [13.78 in]¹⁾
- 400 mm [15.75 in]¹⁾

Other insertion lengths on request

Material (wetted)

Stainless steel 1.4571

1) Not for protection tube diameter 3 mm [0.12 in]

If the resistance thermometer is to be operated in an additional protection tube, a spring-loaded compression fitting must be used.

12. Specifications

Output signal (4 ... 20 mA version)

Analogue output	4 ... 20 mA, 2-wire
Load R_A	$R_A \leq (U_B - 10 \text{ V}) / 23 \text{ mA}$ with R_A in Ω and U_B in V The permissible load depends on the loop supply voltage. For communication with the instrument with programming unit PU-548, a max. load of 350 Ω is admissible.

Factory configuration

Measuring range	Measuring range 0 ... 150 °C [32 ... 302 °F]
	Other measuring ranges are adjustable
Current signals for error signalling	Configurable in accordance with NAMUR NE 043 downscale $\leq 3.6 \text{ mA}$ upscale $\geq 21.0 \text{ mA}$
Current value for sensor short-circuit	Not configurable in accordance with NAMUR NE 043 downscale $\leq 3.6 \text{ mA}$

Communication

Info data	Tag no., description and user message can be stored in transmitter
Configuration and calibration data	Permanently stored
Configuration software	WIKAsoft-TT → Configuration software (multilingual) as a download from www.wika.com

Voltage supply

Supply voltage U_B	DC 10 ... 30 V
Supply voltage input	Protected against reverse polarity
Permissible residual ripple of supply voltage	10 % generated by $U_B < 3 \%$ ripple of the output current

Time response

Switch-on delay, electrical	Max. 4 s (time before the first measured value)
Warm-up time	After approx. 4 minutes, the instrument will function to the specifications (accuracy) given in the data sheet.

12. Specifications

Operating conditions

Ambient temperature range

Version 4 ... 20 mA (TR33-Z-TT)

-40 ... +85 °C [-40 ... +185 °F]
Version with FKM O-ring: -20 °C [-4 °F]

Version Pt100 (TR33-Z-Px) / Pt1000
(TR33-Z-Sx)

-50 ... +85 °C [-58 ... +185 °F]
Version with FKM O-ring: -20 °C [-4 °F]

Storage temperature range

-40 ... +85 °C [-40 ... +185 °F]
Version with FKM O-ring: -20 °C [-4 °F]

Climate class per IEC 60654-1

Version 4 ... 20 mA (TR33-Z-TT)

Cx (-40 ... +85 °C [-40 ... +185 °F],
5 ... 95 % r. h.)
Version with FKM O-ring: -20 °C [-4 °F]

Version Pt100 (TR33-Z-Px) / Pt1000
(TR33-Z-Sx)

Cx (-50 ... +85 °C [-58 ... +185 °F],
5 ... 95 % r. h.)
Version with FKM O-ring: -20 °C [-4 °F]

Maximum permissible humidity, condensation

100 % r. h., condensation allowed

Maximum operating pressure ^{1) 2)}

For protection tube Ø 3 mm [0.12 in]

140 bar [2,030 psi]

For protection tube Ø 6 mm [0.24 in]

270 bar [3,916 psi]

Salt fog

IEC 60068-2-11

Vibration resistance per IEC 60751

10 ... 2,000 Hz, 20 g ¹⁾

Shock resistance per IEC 60068-2-27

50 g, 6 ms, 3 axes, 3 directions, three times per direction

Maximum permissible autoclaving conditions

Max. 134 °C, 3 bar abs., 100 % r. h.,
duration 20 min., max. 50 cycles

Autoclavable with mounted protective cap at coupler connector

12. Specifications

Operating conditions

Conditions for outdoor use (only applies to UL/CSA approval)

- UL: The instrument is suitable for applications with pollution degree 3.
- CSA: The instrument is suitable for applications with pollution degree 2.
- The power supply must be suitable for operation above 2,000 m should the temperature transmitter be used at this altitude.
- The instrument shall be installed in locations sheltered from the weather.
- The instrument shall be installed sun/UV irradiation protected.

Ingress protection (IP code)

Case with connected connector³⁾

- IP67 per IEC/EN 60529
- IP69 per IEC/EN 60529
- IP69K per ISO 20653

The stated ingress protection only applies when plugged in using line connectors that have the appropriate ingress protection.

Coupler connector, not connected

IP67 per IEC/EN 60529

Weight

approx. 0.2 ... 0.7 kg [0.44 ... 1.54 lbs] - depending on version

- 1) Dependent on the instrument version
- 2) Reduced operating pressure when using a compression fitting:
Stainless steel = max. 100 bar [1,450 psi] / PTFE = max. 8 bar [116 psi]
- 3) Not tested with UL

→ For further specifications see WIKA data sheet TE 60.33 and the order documentation.

Inhalt

1. Allgemeines	34
2. Aufbau und Funktion	34
3. Sicherheit	38
4. Transport, Verpackung und Lagerung	41
5. Inbetriebnahme und Betrieb	42
6. Konfiguration	49
7. Konfigurationssoftware WIKAsoft-TT	50
8. Programmierereinheit PU-548 anschließen	52
9. Störungen	52
10. Wartung, Reinigung und Kalibrierung	54
11. Demontage, Rücksendung und Entsorgung	56
12. Technische Daten	58
Annex: CSA control drawing	128

Konformitätserklärungen finden Sie online unter www.wika.de.

1. Allgemeines / 2. Aufbau und Funktion

1. Allgemeines

- Das in der Betriebsanleitung beschriebene Gerät wird nach dem aktuellen Stand der Technik konstruiert und gefertigt. Alle Bauteile unterliegen während der Herstellung strengen Qualitäts- und Umweltkriterien. Unsere Managementsysteme sind nach ISO 9001 und ISO 14001 zertifiziert.
- Diese Betriebsanleitung gibt wichtige Hinweise zum Umgang mit dem Gerät. Voraussetzung für sicheres Arbeiten ist die Einhaltung aller angegebenen Sicherheitshinweise und Handlungsanweisungen.
- Die für den Einsatzbereich des Geräts geltenden örtlichen Unfallverhütungsvorschriften und allgemeinen Sicherheitsbestimmungen einhalten.
- Die Betriebsanleitung ist Produktbestandteil und muss in unmittelbarer Nähe des Geräts für das Fachpersonal jederzeit zugänglich aufbewahrt werden. Betriebsanleitung an nachfolgende Bediener oder Besitzer des Geräts weitergeben.
- Das Fachpersonal muss die Betriebsanleitung vor Beginn aller Arbeiten sorgfältig durchgelesen und verstanden haben.
- Bei unterschiedlicher Auslegung der übersetzten und der englischen Betriebsanleitung ist der englische Wortlaut maßgebend.
- In diesem Dokument wird zur besseren Lesbarkeit das generische Maskulinum verwendet. Weibliche und anderweitige Geschlechteridentitäten werden dabei ausdrücklich eingeschlossen.
- Falls vorhanden, gilt neben dieser Betriebsanleitung auch die mitgelieferte Zuliefererdokumentation als Produktbestandteil.
- Es gelten die allgemeinen Geschäftsbedingungen in den Verkaufsunterlagen.
- Technische Änderungen vorbehalten.
- Weitere Informationen:
 - Internet-Adresse: www.wika.de / www.wika.com
 - zugehöriges Datenblatt: TE 60.33
 - Anwendungsberater: Tel.: +49 9372 132-0
info@wika.de

2. Aufbau und Funktion

2.1 Beschreibung

Das Widerstandsthermometer Typ TR33 besteht aus einem mehrteiligen Schutzrohr mit festem Prozessanschluss und wird direkt in den Prozess eingeschraubt. Soll das Widerstandsthermometer in einem zusätzlichen Schutzrohr betrieben werden, muss eine gefederte Klemmverschraubung

2. Aufbau und Funktion

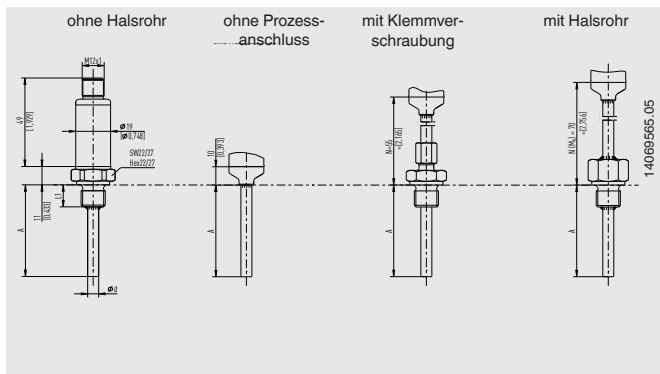
verwendet werden. Es ist stoß- und schwingungsfest aufgebaut und alle elektrischen Bauteile sind gegen Feuchtigkeit geschützt (IP67 bzw. IP69K). Die Schwingungsbeständigkeit entspricht der IEC 60751 (20 g, abhängig von der Geräteausführung). Die Stoßfestigkeit entspricht für alle Versionen den Anforderungen der IEC 60751. Insbesondere bei erhöhten Umgebungstemperaturen oder starker Schwingungsbelastung darauf achten, dass mechanische Belastungen am Stecker minimiert werden. Die elektrische Kontaktierung erfolgt mittels Rundstecker M12 x 1.

DE

Optional ist ein Adapter zur Kontaktierung mit Winkelstecker gemäß EN 175301-803 erhältlich.

2.2 Abmessungen in mm [in]

- Prozessanschluss mit zylindrischem Gewinde (bzw. ohne Prozessanschluss)



Bei Prozesstemperatur $> 150\text{ °C}$ [302 °F] ist eine Halslänge $N (M_H)$ von 70 mm [$2,76\text{ in}$] erforderlich, ansonsten $N (M_H)$ wählbar (55 mm [$2,17\text{ in}$], 65 mm [$2,56\text{ in}$] oder 70 mm [$2,76\text{ in}$]).

Legende:

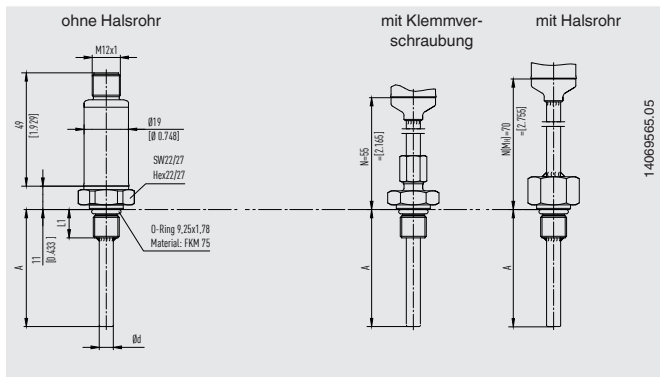
A (U_1) Einbaulänge

N (M_H) Halslänge

Ød Schutzrohrdurchmesser

2. Aufbau und Funktion

- Prozessanschluss mit zylindrischem Gewinde (7/16-20 UNF-2A) und O-Ring



Den FKM O-Ring vor Temperaturen kleiner -20 °C [-4 °F] und größer 125 °C [257 °F] schützen.

Bei Prozesstemperatur $> 150\text{ °C}$ [302 °F] ist eine Halslänge $N (M_H)$ von 70 mm [$2,76\text{ in}$] erforderlich, ansonsten $N (M_H)$ wählbar (55 mm [$2,17\text{ in}$], 65 mm [$2,56\text{ in}$] oder 70 mm [$2,76\text{ in}$]).

Legende:

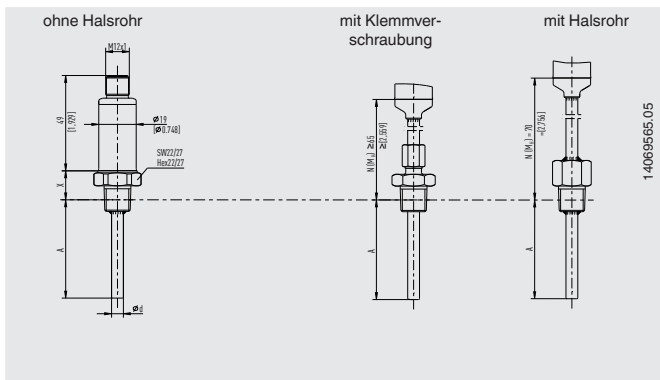
A (U_1) Einbaulänge

N (M_H) Halslänge

$\varnothing d$ Schutzrohrdurchmesser

2. Aufbau und Funktion

■ Prozessanschluss mit konischem Gewinde



Bei Prozesstemperatur $> 150\text{ °C}$ [302 °F] ist eine Halslänge N (M_H) von 70 mm [2,76 in] erforderlich, ansonsten N (M_H) wählbar (55 mm [2,17 in], 65 mm [2,56 in] oder 70 mm [2,76 in]).

Legende:

A (U_2) Einbaulänge

N (M_H) Halslänge

X Höhe Prozessanschluss

Ød Schutzrohrdurchmesser

X Höhe Prozessanschluss

1/4 NPT = 15 mm [0,59 in]

1/2 NPT = 19 mm [0,75 in]

2.3 Lieferumfang

Lieferumfang mit dem Lieferschein abgleichen.

3. Sicherheit

3. Sicherheit

3.1 Symbolerklärung



WARNUNG!

... weist auf eine möglicherweise gefährliche Situation hin, die zum Tod oder zu schweren Verletzungen führen kann, wenn sie nicht gemieden wird.



VORSICHT!

... weist auf eine möglicherweise gefährliche Situation hin, die zu geringfügigen oder leichten Verletzungen bzw. Sach- und Umweltschäden führen kann, wenn sie nicht gemieden wird.



GEFAHR!

... kennzeichnet Gefährdungen durch elektrischen Strom. Bei Nichtbeachtung der Sicherheitshinweise besteht die Gefahr schwerer oder tödlicher Verletzungen.



WARNUNG!

... weist auf eine möglicherweise gefährliche Situation hin, die durch heiße Oberflächen oder Flüssigkeiten zu Verbrennungen führen kann, wenn sie nicht gemieden wird.



Information

... hebt nützliche Tipps und Empfehlungen sowie Informationen für einen effizienten und störungsfreien Betrieb hervor.

3.2 Bestimmungsgemäße Verwendung

Das Widerstandsthermometer Typ TR33 wird als universelles Thermometer zum Messen von Temperaturen von $-50 \dots +150 \text{ °C}$ [$-58 \dots +302 \text{ °F}$] (ohne Halsrohr) und $-50 \dots +250 \text{ °C}$ [$-58 \dots +482 \text{ °F}$] (mit Halsrohr) in flüssigen und gasförmigen Medien verwendet. Es ist einsetzbar für Drücke bis 140 bar [2.030 psi] bei Schutzrohrdurchmesser 3 mm [0,12 in] und bis 270 bar [3.916 psi] bei Schutzrohrdurchmesser 6 mm [0,24 in], abhängig von der Geräteausführung.

3. Sicherheit

Das Thermometer ist für den Innen- und Außeneinsatz geeignet.

Das Gerät ist ausschließlich für den hier beschriebenen bestimmungsgemäßen Verwendungszweck konzipiert und konstruiert und darf nur dementsprechend verwendet werden.

Die technischen Spezifikationen in dieser Betriebsanleitung sind einzuhalten. Eine unsachgemäße Handhabung oder ein Betreiben des Gerätes außerhalb der technischen Spezifikationen macht die sofortige Stilllegung und Überprüfung durch einen autorisierten WIKA-Servicemitarbeiter erforderlich.

DE

Ansprüche jeglicher Art aufgrund von nicht bestimmungsgemäßer Verwendung sind ausgeschlossen.

3.3 Personalqualifikation



WARNUNG!

Verletzungsgefahr bei unzureichender Qualifikation!

Unsachgemäßer Umgang kann zu erheblichen Personen- und Sachschäden führen.

- ▶ Die in dieser Betriebsanleitung beschriebenen Tätigkeiten nur durch Fachpersonal nachfolgend beschriebener Qualifikation durchführen lassen.
- ▶ Unqualifiziertes Personal von den Gefahrenbereichen fernhalten.

Elektrofachpersonal

Das Elektrofachpersonal ist aufgrund seiner fachlichen Ausbildung, Kenntnisse und Erfahrungen sowie Kenntnis der landesspezifischen Vorschriften, geltenden Normen und Richtlinien in der Lage, Arbeiten an elektrischen Anlagen auszuführen und mögliche Gefahren selbstständig zu erkennen und zu vermeiden. Das Elektrofachpersonal ist speziell für das Arbeitsumfeld, in dem es tätig ist, ausgebildet und kennt die relevanten Normen und Bestimmungen. Das Elektrofachpersonal muss die Bestimmungen der geltenden gesetzlichen Vorschriften zur Unfallverhütung erfüllen.

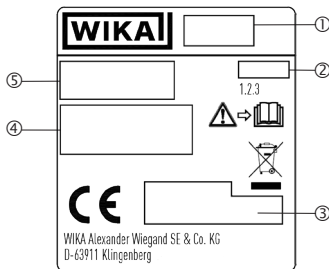
Spezielle Einsatzbedingungen verlangen weiteres entsprechendes

3. Sicherheit

Wissen, z. B. über aggressive Medien.

3.4 Beschilderung, Sicherheitskennzeichnungen

Typenschilder (Beispiel)



- ① Typ
- ② Herstellungsdatum (Jahr-Monat)
- ③ Zulassungslogos
- ④ Angaben zur Ausführung (Messelement, Ausgangssignal, Messbereich...)
 - Mit Messumformer und Ausgangssignal 4 ... 20 mA
 - Mit direktem Sensorausgang mit Pt100 und Pt1000
- ⑤ Seriennummer, Tag-Nummer



Vor Montage und Inbetriebnahme des Geräts unbedingt die Betriebsanleitung lesen.



Nicht mit dem Hausmüll entsorgen. Für eine geordnete Entsorgung nach nationalen Vorgaben sorgen.

4. Transport, Verpackung und Lagerung

4.1 Transport

Gerät auf eventuell vorhandene Transportschäden untersuchen. Offensichtliche Schäden unverzüglich mitteilen und beschädigte Geräte nicht verwenden.



VORSICHT!

Beschädigungen durch unsachgemäßen Transport

Bei unsachgemäßem Transport können Sachschäden in erheblicher Höhe entstehen.

- ▶ Beim Abladen der Packstücke bei Anlieferung sowie innerbetrieblichem Transport vorsichtig vorgehen und die Symbole auf der Verpackung beachten.
- ▶ Bei innerbetrieblichem Transport die Hinweise unter Kapitel 4.2 „Verpackung“, 4.3 „Lagerung“ beachten.

Wird das Gerät von einer kalten in eine warme Umgebung transportiert, so kann durch Kondensatbildung eine Störung der Gerätefunktion eintreten. Vor einer erneuten Inbetriebnahme die Angleichung der Gerätetemperatur an die Raumtemperatur abwarten.

4.2 Verpackung

Verpackung erst unmittelbar vor der Montage entfernen.

Die Verpackung aufbewahren, denn diese bietet bei einem Transport einen optimalen Schutz (z. B. wechselnder Einbauort, Reparatursendung).

4. Transport ... / 5. Inbetriebnahme, Betrieb

4.3 Lagerung

Zulässige Bedingungen am Lagerort:

- Lagertemperatur: -40 ... +85 °C [-40 ... +185 °F]
- Feuchtigkeit: 5 ... 95 % r. F.

Folgende Einflüsse vermeiden:

- Direktes Sonnenlicht oder Nähe zu heißen Gegenständen
- Mechanische Vibration, mechanischer Schock (hartes Aufstellen)
- Ruß, Dampf, Staub und korrosive Gase
- Explosionsgefährdete Umgebung, entzündliche Atmosphären

Das Gerät in der Originalverpackung an einem Ort, der die oben gelisteten Bedingungen erfüllt, lagern. Wenn die Originalverpackung nicht vorhanden ist, dann das Gerät wie folgt verpacken und lagern:

1. Das Gerät in eine antistatische Plastikfolie einhüllen.
2. Das Gerät mit dem Dämmmaterial in der Verpackung platzieren.
3. Bei längerer Einlagerung (mehr als 30 Tage) einen Beutel mit Trocknungsmittel der Verpackung beilegen.

5. Inbetriebnahme und Betrieb



WARNUNG!

Mechanische Belastungen der elektrischen Anschlüsse und der Gehäuse vermeiden. Alle Anschlüsse nur im drucklosen und abgekühlten Zustand öffnen.

Maximal zulässige Temperaturen:

- Am Gehäuse mit Transmitter: 85 °C [185 °F]
- Klasse A:
 - Ohne Halsrohr -30 ... +150 °C [-22 ... +302 °F]
 - Mit Halsrohr -30 ... +250 °C [-22 ... +482 °F]
- Klasse B:
 - Ohne Halsrohr -50 ... +150 °C [-58 ... +302 °F]
 - Mit Halsrohr -50 ... +250 °C [-58 ... +482 °F]

5. Inbetriebnahme und Betrieb

5.1 Montage

Diese Widerstandsthermometer sind vorgesehen zum direkten Einschrauben in den Prozess. Einbaulänge sowie Strömungsgeschwindigkeit und Viskosität des Prozessmediums können sich reduzierend auf die max. Schutzrohrbelastung auswirken.

Soll das Widerstandsthermometer in einem zusätzlichen Schutzrohr betrieben werden, muss eine gefederte Klemmverschraubung verwendet werden.

Das Gehäuse muss gegen elektromagnetische Felder und elektrostatische Aufladungen geerdet werden. Es muss nicht gesondert an das Potenzialausgleichssystem angeschlossen werden, wenn es festen und gesicherten metallischen Kontakt mit dem Behälter oder dessen Konstruktionsteilen oder Rohrleitungen hat, sofern diese mit dem Potenzialausgleichssystem verbunden sind.

Bei einem nichtmetallischen Kontakt mit dem Behälter oder dessen Konstruktionsteilen bzw. Rohrleitungen muss das Gerät mit einem Potenzialausgleich versehen werden.

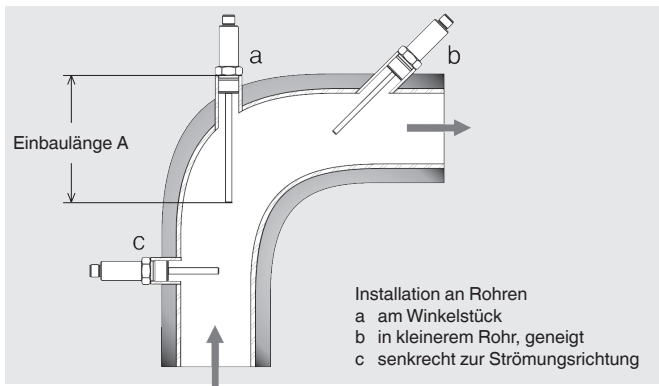


WARNUNG!

Reparaturen sowie bauliche Veränderungen sind nicht zulässig und führen zur Erlöschung der Garantie.

5. Inbetriebnahme und Betrieb

Einbaubeispiele



Angaben zu den Einschraublöchern der DIN 3852 bzw. für NPT-Gewinde der ANSI B 1.20 entnehmen.

5.1.1 Anzugsdrehmomente für Klemmverschraubungen

Dichtung	Umdrehungen	Max. Druck in bar
Klemmring CrNi-Stahl	1 ¼ ... 1 ½	100
Schneidring CrNi-Stahl	1 ¼ ... 1 ½	100
Klemmring PTFE	1 ¼ ... 1 ½	8

5.1.2 Anzugsdrehmoment für den M12-Gegenstecker oder den M12-Adapter

Anzugsdrehmoment von 0,6 Nm wählen.

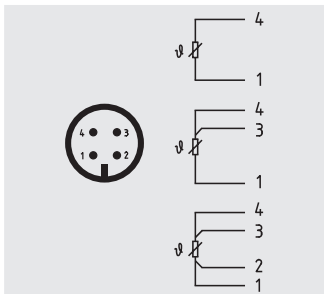
5.2 Elektrischer Anschluss

Je nach Art der Anwendung muss der elektrische Anschluss vor mechanischen Schäden geschützt werden.

Der elektrische Anschluss erfolgt über den Rundstecker M12 x 1 (4-polig).

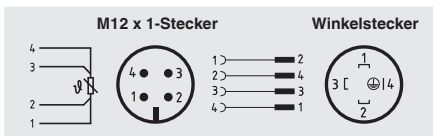
5. Inbetriebnahme und Betrieb

- Ausgangssignal Pt100 und Pt1000 (Standard)



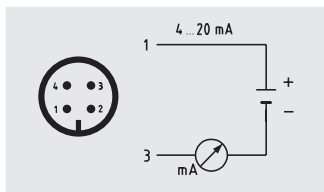
Alternative Anschlussbelegungen möglich. Weitere Informationen siehe Bestellunterlagen.

Zubehör: Pt-Adapter M12 x 1 zu Winkelstecker EN 175301-803



5. Inbetriebnahme und Betrieb

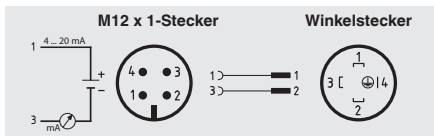
- Ausgangssignal 4 ... 20 mA (Standard)



Pin	Signal	Beschreibung
1	L+	10 ... 30 V
2	VQ	nicht angeschlossen
3	L-	0 V
4	C	nicht angeschlossen

Alternative Anschlussbelegungen möglich.
Weitere Informationen siehe Bestellunterlagen.

Zubehör: Transmitter-Adapter M12 x 1 zu Winkelstecker DIN EN 175301-803



Anschlussbelegung Winkelstecker

Pin	Signal	Beschreibung
1	L+	10 ... 30 V
2	L-	0 V
3	VQ	nicht angeschlossen
4	C	nicht angeschlossen

5. Inbetriebnahme und Betrieb



GEFAHR!

Lebensgefahr durch elektrischen Strom

Bei Berührung mit spannungsführenden Teilen besteht unmittelbare Lebensgefahr.

- ▶ Einbau und Montage des Gerätes dürfen nur durch Fachpersonal erfolgen.
- ▶ Bei Betrieb mit einem defekten Netzgerät (z. B. Kurzschluss von Netzspannung zur Ausgangsspannung) können am Gerät lebensgefährliche Spannungen auftreten!
- ▶ Montagen im spannungslosen Zustand durchführen.

DE

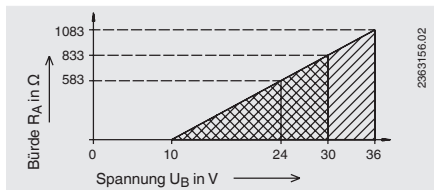
Dies ist ein Betriebsmittel der Schutzklasse 3 zum Anschluss an Kleinspannungen, die von der Netzspannung oder Spannung größer AC 50 V bzw. DC 120 V getrennt sind. Zu bevorzugen ist ein Anschluss an SELV- oder PELV-Stromkreise; alternativ ist eine Schutzmaßnahme aus IEC 60346-4-41 (DIN VDE 0100-410) zu empfehlen.

Alternativ für Nordamerika

Der Anschluss kann auch an „Class 2 Circuits“ oder „Class 2 Power Units“ gemäß CEC (Canadian Electrical Code) oder NEC (National Electrical Code) erfolgen.

Bürdendiagramm

Die zulässige Bürde hängt von der Spannung der Schleifenversorgung ab. Bei Kommunikation mit dem Gerät, mit Programmierereinheit PU-548, ist eine Bürde von maximal 350 Ω zulässig.



5. Inbetriebnahme und Betrieb

Folgende Werte nicht überschreiten:

■ Ausführung mit Ausgangssignal 4 ... 20 mA

Versorgungs- und Stromschleifenkreis (Anschlüsse)

Spannung	U_i	DC 30 V
Stromstärke	I_i	120 mA
wirksame innere Kapazität	C_i	6,2 nF
wirksame innere Induktivität	L_i	110 μ H

Sensorstromkreis

Leistung	P_o	37,5 mW
Umgebungstemperatur		-40 ... +85 °C [-40 ... +185 °F]
Die maximale Eigenerwärmung an der Fühlerspitze beträgt 4 K		

■ Ausführung mit Ausgangssignal Pt100 und Pt1000

Sensorstromkreis

Spannung	U_i	DC 30 V
Stromstärke	I_i	550 mA
wirksame innere Kapazität		vernachlässigbar klein
wirksame innere Induktivität		vernachlässigbar klein
Umgebungstemperatur		-40 ... +85 °C [-40 ... +185 °F]

5.3 Verhalten des elektrischen Ausgangssignals 4 ... 20 mA

■ Fühlerbruch und Kurzschluss

Fühlerbruch bzw. Kurzschluss werden nach sicherem Erkennen (nach ca. 1 Sekunde) signalisiert. Wird dieser Fehler jedoch durch eine Fehlfunktion verursacht, so muss für ebenfalls ca. 1 Sekunde ein relevantes Messsignal anliegen, um wieder in den Messmodus zu gelangen. Ab dem Zeitpunkt der Erkennung bis zur Fehlersignalisierung wird der letzte relevante Messwert auf der Stromschleife ausgegeben.

Somit wird im Falle eines „wahren“ Fühlerbruches bzw. Kurzschlusses dieser auch dauerhaft signalisiert. Im Falle eines „falschen“ Fühlerbruches bzw. Kurzschlusses hat der Transmitter die Möglichkeit, wieder in den Messbetrieb zu gelangen.

5. Inbetriebnahme und Betrieb / 6. Konfiguration

■ Messstofftemperatur außerhalb der Spanne

Bei einer Überschreitung der im Transmitter konfigurierten Messstofftemperatur wird ein Fehler signalisiert.

6. Konfiguration

Das Konfigurieren erfolgt über die USB-Schnittstelle eines PC's via Programmierereinheit Typ PU-548 (Zubehör, Bestellnummer: 14231581). Mittels passendem Adapterkabel wird die Verbindung zum Thermometer hergestellt (Zubehör: Rundstecker M12 x 1, Bestellnummer: 14003193).

Einstellbar sind Messbereich, Dämpfung, Fehlersignalisierung, Tag-Nr. sowie weitere Parameter, siehe Konfigurationssoftware.



- Einfache Bedienung
- LED-Statusanzeige
- Kompakte Bauform
- Keine zusätzliche Spannungsversorgung weder für die Programmierereinheit noch für den Transmitter notwendig

(ersetzt Programmierereinheit Typ PU-448)

Der Messbereich ist konfigurierbar zwischen $-50 \dots +250 \text{ }^{\circ}\text{C}$ [$-58 \dots +482 \text{ }^{\circ}\text{F}$]. Die Konfigurationssoftware überprüft den gewünschten Messbereich und akzeptiert nur zulässige Werte. Zwischenwerte sind konfigurierbar, die kleinste Schrittweite ist $0,1 \text{ }^{\circ}\text{C}$ oder $0,1 \text{ }^{\circ}\text{F}$. Ausgeliefert werden die Thermometer konfiguriert nach Kundenvorgabe im Rahmen der Konfigurationsmöglichkeiten.

Bitte beachten:

Der Messbereich des Thermometers wird begrenzt durch den Anwendungsbereich des Messelementes, nicht durch den Einstellbereich des Transmitters.

Maximal zulässige Temperaturen:

- Am Gehäuse mit Transmitter: $85 \text{ }^{\circ}\text{C}$ [$185 \text{ }^{\circ}\text{F}$]
- Klasse A: Ohne Halsrohr $-30 \dots +150 \text{ }^{\circ}\text{C}$ [$-22 \dots +302 \text{ }^{\circ}\text{F}$]
Mit Halsrohr $-30 \dots +250 \text{ }^{\circ}\text{C}$ [$-22 \dots +482 \text{ }^{\circ}\text{F}$]

6. Konfiguration / 7. Konfigurationssoftware ...

- Klasse B: Ohne Halsrohr -50 ... +150 °C [-58 ... +302 °F]
Mit Halsrohr -50 ... +250 °C [-58 ... +482 °F]

7. Konfigurationssoftware WIKAsoft-TT

DE

Zur Installation den Anweisungen der Installationsroutine folgen.

7.1 Starten der Software

Die Konfigurationssoftware mit einem Doppelklick auf das WIKAsoft-TT Icon starten.

Nach dem Starten der Software kann die Sprache über Auswahl der entsprechenden Länderflagge geändert werden. Die Auswahl des COM-Ports erfolgt automatisch.



Nach dem Anschluss eines Transmitters (mit PU-548) kann durch Aktivieren des Start-Buttons die Konfigurationsoberfläche geladen werden.

Die Konfigurationsoberfläche kann nur mit einem angeschlossenen Gerät geladen werden.



14073818, 13.11.2024 EN/DE/FR/ES

7.2 Ablauf Konfiguration

Die Schritte 1 und 2 erfolgen beim Start der Software automatisch.

1. „Gerätedaten laden“
2. „Konfiguration laden“
3. [optional] Schreibschutz aufheben (Schlosssymbol unten rechts)
4. Ändern der gewünschten Parameter
→ Sensor/Messbereich/Fehlersignalisierung etc.
5. „In das Gerät speichern“
6. [optional] Schreibschutz aktivieren
7. [optional] Konfigurationsprotokoll ausdrucken
8. [optional] Test: „Konfiguration laden“ → Konfiguration überprüfen

7.3 Fehlerdiagnose

Hier wird im Fall eines „vom Transmitter detektierten Fehlers“ die Fehlermeldung angezeigt.

Beispiele: Fühlerbruch, Zulässige Höchsttemperatur überschritten etc.

Im Betriebsfall wird hier „Kein Fehler - Kein Wartungsbedarf“ ausgegeben.

7.4 Messwerte

Linienstreiber – Hier wird der Messwertverlauf mit einer konstanten Abtastrate in einem definierten Zeitraster (180 Sekunden) und einer variablen Temperaturachse in Form eines Linienstreiber dargestellt. Die Anzeige dient rein zur Funktionsprüfung und zur Information. Ein Export der Daten ist nicht möglich.

7.5 Mehrere Geräte identisch konfigurieren

■ Erstes Gerät

1. „Konfiguration laden“
2. [optional] Schreibschutz aufheben (Schlosssymbol unten rechts)
3. Ändern der gewünschten Parameter
4. „In das Gerät speichern“
5. [optional] Schreibschutz aktivieren

■ Alle folgenden Geräte

1. „Gerätedaten laden“
2. [optional] Schreibschutz aufheben
3. [optional] Ändern der gewünschten Parameter, z. B. Tag-Nummer
4. „In das Gerät speichern“
5. [optional] Schreibschutz aktivieren

8. Programmierereinheit ... / 9. Störungen

8. Programmierereinheit PU-548 anschließen

Anschluss PU-548 → Adapterkabel mit Anschluss M12



14004919.01

(Vorgängermodell, Programmierereinheit Typ PU-448, ebenfalls kompatibel)

9. Störungen



VORSICHT!

Körperverletzungen, Sach- und Umweltschäden

Können Störungen mit Hilfe der aufgeführten Maßnahmen nicht beseitigt

werden, Gerät unverzüglich außer Betrieb setzen.

- ▶ Sicherstellen, dass kein Druck bzw. Signal mehr anliegt und gegen versehentliche Inbetriebnahme schützen.
- ▶ Kontakt mit dem Hersteller aufnehmen.
- ▶ Bei notwendiger Rücksendung die Hinweise unter Kapitel 11.2 „Rücksendung“ beachten.

9. Störungen



WARNUNG!

Körperverletzungen, Sach- und Umweltschäden durch gefährliche Messstoffe

Bei Kontakt mit gefährlichen Messstoffen (z. B. Sauerstoff, Acetylen, brennbaren oder giftigen Stoffen), gesundheitsgefährdenden Messstoffen (z. B. ätzend, giftig, krebserregend, radioaktiv) sowie bei Kälteanlagen, Kompressoren besteht die Gefahr von Körperverletzungen, Sach- und Umweltschäden. Am Gerät können im Fehlerfall aggressive Messstoffe mit extremer Temperatur und unter hohem Druck oder Vakuum anliegen.

- ▶ Bei diesen Messstoffen müssen über die gesamten allgemeinen Regeln hinaus die einschlägigen Vorschriften beachtet werden.

DE



Kontakt Daten siehe Kapitel 1 „Allgemeines“ oder Rückseite der Betriebsanleitung.

Störungen	Ursachen	Maßnahmen
Kein Signal/ Leitungsbruch	Zu hohe mechanische Belastung oder Übertemperatur	Ersatz des Fühlers durch eine geeignete Ausführung
Fehlerhafte Messwerte	Sensordrift durch Übertemperatur	Ersatz des Fühlers durch eine geeignete Ausführung
	Sensordrift durch chemischen Angriff	Medium analysieren
Fehlerhafte Messwerte (zu gering)	Feuchtigkeitseintritt am Kabel	Geeigneten IP-Schutz verwenden
Fehlerhafte Messwerte und zu lange Ansprechzeiten	Falsche Einbaugometrie, z. B. zu geringe Einbautiefe oder zu hohe Wärmeableitung	Der temperaturempfindliche Bereich des Sensors muss innerhalb des Mediums liegen, Oberflächenmessungen müssen isoliert sein
	Ablagerungen auf dem mehrteiligen Schutzrohr	Ablagerungen entfernen

9. Störungen / 10. Wartung, Reinigung und ...

Störungen	Ursachen	Maßnahmen
Zeitweise oder sporadische Unterbrechungen des Messwertsignals	Leitungsbruch im Anschlusskabel oder Wackelkontakt durch mechanische Überbelastung	Ersatz des Fühlers oder dickerer Leitungsquerschnitt
Korrosion	Zusammensetzung des Mediums nicht wie angenommen oder geändert	Medium analysieren
Signal gestört	Einstreuung durch elektrische Felder oder Erdschleifen	Verwendung von geschirmten Anschlussleitungen, Erhöhung des Abstandes zu Motoren und leistungsführenden Leitungen
	Erdschleifen	Beseitigung von Potenzialen, Verwendung von galvanisch getrennten Speisetrennern oder Transmittern

DE

10. Wartung, Reinigung und Kalibrierung



Kontaktdaten siehe Kapitel 1 „Allgemeines“ oder Rückseite der Betriebsanleitung.

10.1 Wartung

Die hier beschriebenen Widerstandsthermometer sind wartungsfrei und enthalten keinerlei Bauteile, welche repariert oder ausgetauscht werden könnten.

10.2 Reinigung



VORSICHT!

Körperverletzungen, Sach- und Umweltschäden

Eine unsachgemäße Reinigung führt zu Körperverletzungen, Sach- und Umweltschäden. Messstoffreste im ausgebauten Gerät können zur Gefährdung von Personen, Umwelt und Einrichtung führen.

▶ Reinigungsvorgang wie folgt beschrieben durchführen.

- ▶ Vor der Reinigung das Gerät ordnungsgemäß trennen.
- ▶ Das Gerät mit einem feuchten Tuch reinigen.
- ▶ Elektrische Anschlüsse nicht mit Feuchtigkeit in Berührung bringen.



VORSICHT!

Beschädigung des Gerätes

Eine unsachgemäße Reinigung führt zur Beschädigung des Gerätes!

- ▶ Keine aggressiven Reinigungsmittel verwenden.
- ▶ Keine harten und spitzen Gegenstände zur Reinigung verwenden.

- ▶ Ausgebautes Gerät spülen bzw. säubern, um Personen und Umwelt vor Gefährdung durch anhaftende Messstoffreste zu schützen.

10.3 Kalibrierung, Rekalibrierung

Es wird empfohlen, das Gerät in regelmäßigen Zeitabständen zu kalibrieren (ca. 24 Monate). Dieser Zeitraum verringert sich abhängig vom Einsatzfall. Die Kalibrierung kann durch den Hersteller sowie mit Kalibriergeräten vor Ort durch qualifiziertes Fachpersonal erfolgen.

11. Demontage, Rücksendung und Entsorgung

11. Demontage, Rücksendung und Entsorgung

11.1 Demontage



WARNUNG!

Körperverletzungen, Sach- und Umweltschäden durch Messstoffreste

Bei Kontakt mit gefährlichen Messstoffen (z. B. Sauerstoff, Acetylen, brennbaren oder giftigen Stoffen), gesundheitsgefährdenden Messstoffen (z. B. ätzend, giftig, krebserregend, radioaktiv) sowie bei Kälteanlagen, Kompressoren besteht die Gefahr von Körperverletzungen, Sach- und Umweltschäden.

- ▶ Vor der Einlagerung das ausgebaute Gerät (nach Betrieb) spülen bzw. säubern, um Personen und Umwelt vor Gefährdung durch anhaftende Messstoffreste zu schützen.
- ▶ Notwendige Schutzausrüstung verwenden (abhängig von der jeweiligen Applikation; Das Thermometer selbst ist prinzipiell ungefährlich.)
- ▶ Angaben im Sicherheitsdatenblatt für den entsprechenden Messstoff beachten.

Widerstandsthermometer nur im drucklosen Zustand demontieren!



WARNUNG!

Verbrennungsgefahr

Beim Ausbau besteht Gefahr durch austretende, gefährlich heiße Messstoffe.

- ▶ Vor dem Ausbau das Gerät ausreichend abkühlen lassen!

11.2 Rücksendung

Beim Versand des Gerätes unbedingt beachten:

Alle an WIKA gelieferten Geräte müssen frei von Gefahrstoffen (Säuren, Laugen, Lösungen, etc.) sein.

11. Demontage, Rücksendung und Entsorgung



WARNUNG! **Körperverletzungen, Sach- und Umweltschäden durch Messstoffreste**

Messstoffreste im ausgebauten Gerät können zur Gefährdung von Personen, Umwelt und Einrichtung führen.

- ▶ Bei Gefahrstoffen das Sicherheitsdatenblatt für den entsprechenden Messstoff beilegen.
- ▶ Gerät reinigen, siehe Kapitel 10.2 „Reinigung“.

DE

Zur Rücksendung des Gerätes die Originalverpackung oder eine geeignete Transportverpackung verwenden.

Um Schäden zu vermeiden:

1. Das Gerät in eine antistatische Plastikfolie einhüllen.
2. Das Gerät mit dem Dämmmaterial in der Verpackung platzieren.
Zu allen Seiten der Transportverpackung gleichmäßig dämmen.
3. Wenn möglich einen Beutel mit Trocknungsmittel der Verpackung beifügen.
4. Sendung als Transport eines hochempfindlichen Messgerätes kennzeichnen.



Hinweise zur Rücksendung befinden sich in der Rubrik „Service“ auf unserer lokalen Internetseite.

11.3 Entsorgung

Durch falsche Entsorgung können Gefahren für die Umwelt entstehen. Gerätekomponten und Verpackungsmaterialien entsprechend den landesspezifischen Abfallbehandlungs- und Entsorgungsvorschriften umweltgerecht entsorgen.



Nicht mit dem Hausmüll entsorgen. Für eine geordnete Entsorgung gemäß nationaler Vorgaben sorgen.

12. Technische Daten

12. Technische Daten

Messelement

Art des Messelementes

Ausführung 4 ... 20 mA (TR33-Z-TT)

Pt1000
(Messstrom < 0,3 mA; Eigenerwärmung kann vernachlässigt werden)

Ausführung Pt100 (TR33-Z-Px) /
Pt1000 (TR33-Z-Sx)

- Pt100 (Messstrom 0,1 ... 1,0 mA)
- Pt1000 (Messstrom 0,1 ... 0,3 mA)

Schaltungsart

Ausführung 4 ... 20 mA (TR33-Z-TT)

2-Leiter

Ausführung Pt100 (TR33-Z-Px) /
Pt1000 (TR33-Z-Sx)

2-Leiter

3-Leiter

4-Leiter

Grenzabweichung des Messelementes ¹⁾ nach IEC 60751

Ausführung 4 ... 20 mA (TR33-Z-TT)

Klasse A

Ausführung Pt100 (TR33-Z-Px) /
Pt1000 (TR33-Z-Sx)

- Klasse A
- Klasse B bei 2-Leiter

Genauigkeitsangaben (Ausführung 4 ... 20 mA)

Grenzabweichung des Messelementes ¹⁾ nach IEC 60751

Klasse A

Messabweichung des Messumformers nach IEC 62828

±0,25 K

Elektromagnetische Verträglichkeit (EMV) ²⁾

EN 61326 Emission (Gruppe 1, Klasse B) und Störfestigkeit (industrieller Bereich), Konfiguration bei 20 % des vollen Messbereichs

Gesamtmessabweichung nach IEC 62828

Messabweichung des Messelementes + des Messumformers

Einfluss der Umgebungstemperatur

0,1 % der eingestellten Messspanne /
10 K T_a

DE

12. Technische Daten

Genauigkeitsangaben (Ausführung 4 ... 20 mA)

Einfluss der Hilfsenergie	$\pm 0,025 \% / V$ (abhängig von der Hilfsenergie U_B)
Einfluss der Bürde	$\pm 0,05 \% / 100 \Omega$
Linearisierung	Temperaturlinear nach IEC 60751
Ausgangsfehler	$\pm 0,1 \% ^3$
Referenzbedingungen	
Umgebungstemperatur T_a ref	23 °C
Hilfsenergie U_B ref	DC 12 V

DE

- 1) Je nach Prozessanschluss kann die Abweichung größer ausfallen.
- 2) Während transienten Störbeeinflussungen (z. B. Burst, Surge, ESD) eine erhöhte Messabweichung von bis zu 2 % berücksichtigen.
- 3) $\pm 0,2 \%$ bei Messbereichsanfang kleiner 0 °C [32 °F]

Messbereich

Temperaturbereich

Ausführung 4 ... 20 mA (TR33-Z-TT)	Ohne Halsrohr -30 ... +150 °C [-22 ... +302 °F] Mit Halsrohr -30 ... +250 °C [-22 ... +482 °F] ¹⁾ Ausführung mit FKM O-Ring: -20 ... +125 °C [-4 ... +257 °F]	
Ausführung Pt100 (TR33-Z-Px) / Pt1000 (TR33-Z-Sx)	Klasse A	Ohne Halsrohr -30 ... +150 °C [-22 ... +302 °F] Mit Halsrohr -30 ... +250 °C [-22 ... +482 °F] Ausführung mit FKM O-Ring: -20 ... +125 °C [-4 ... +257 °F]
	Klasse B	Ohne Halsrohr -50 ... +150 °C [-58 ... +302 °F] Mit Halsrohr -50 ... +250 °C [-58 ... +482 °F]
Einheit (Ausführung 4 ... 20 mA)	Konfigurierbar °C, °F, K	
Temperatur am Stecker (Ausführung Pt100, Pt1000)	Max. 85 °C [185 °F]	

12. Technische Daten

Messbereich

Messspanne (Ausführung 4 ... 20 mA)

Minimal 20 K, maximal 300 K

1) Den Temperaturtransmitter dabei vor Temperaturen über 85 °C [185 °F] schützen.

DE

Prozessanschluss

Art des Prozessanschlusses

- G ¼ B
- G ⅜ B
- G ½ B
- ¼ NPT
- ½ NPT
- M12 x 1,5
- M20 x 1,5
- 7/16-20 UNF-2A

Mehrteiliges Schutzrohr

Schutzrohrdurchmesser

- 3 mm [0,12 in]
- 6 mm [0,24 in]

Einbaulänge U₁

- 50 mm [1,97 in]
- 75 mm [2,95 in] ¹⁾
- 100 mm [3,94 in] ¹⁾
- 120 mm [4,72 in] ¹⁾
- 150 mm [5,91 in] ¹⁾
- 200 mm [7,87 in] ¹⁾
- 250 mm [9,84 in] ¹⁾
- 300 mm [11,81 in] ¹⁾
- 350 mm [13,78 in] ¹⁾
- 400 mm [15,75 in] ¹⁾

Weitere Einbaulängen auf Anfrage

Werkstoff (messstoffberührt)

CrNi-Stahl 1.4571

1) Nicht bei Schutzrohrdurchmesser 3 mm [0,12 in]

Soll das Widerstandsthermometer in einem zusätzlichen Schutzrohr betrieben werden, muss eine gefederte Klemmverschraubung verwendet werden.

14073818, 13.11/2024 EN/DE/FR/ES

12. Technische Daten

Ausgangssignal (Ausführung 4 ... 20 mA)

Analogausgang	4 ... 20 mA, 2-Draht
Bürde R_A	$R_A \leq (U_B - 10 \text{ V}) / 23 \text{ mA}$ mit R_A in Ω und U_B in V Die zulässige Bürde hängt von der Spannung der Schleifenversorgung ab. Bei Kommunikation mit dem Gerät, mit Programmiereinheit PU-548, ist eine Bürde von maximal 350 Ω zulässig.

Werkskonfiguration

Messbereich	Messbereich 0 ... 150 °C [32 ... 302 °F] Andere Messbereiche sind einstellbar
Stromwerte für Fehlersignalisierung	Konfigurierbar nach NAMUR NE 043 zusteuernd $\leq 3,6 \text{ mA}$ aufsteuernd $\geq 21,0 \text{ mA}$
Stromwert für Fühlerkurzschluss	Nicht konfigurierbar nach NAMUR NE 043 zusteuernd $\leq 3,6 \text{ mA}$

Kommunikation

Info-Daten	Tag-Nr., Beschreibung und Anwendernachricht im Transmitter speicherbar
Konfigurations- und Kalibrierungsdaten	Dauerhaft gespeichert
Konfigurationssoftware	WIKAsoft-TT → Konfigurationssoftware (mehrsprachig) als Download von www.wika.de

Spannungsversorgung

Hilfsenergie U_B	DC 10 ... 30 V
Hilfsenergieeingang	Geschützt gegen Verpolung
Zulässige Restwelligkeit der Hilfsenergie	10 % von U_B erzeugt < 3 % Welligkeit des Ausgangsstromes

Zeitverhalten

Einschaltverzögerung, elektrisch	Max. 4 s (Zeit bis zum ersten Messwert)
Aufwärmzeit	Nach ca. 4 Minuten werden die im Datenblatt angegebenen technischen Daten (Genauigkeit) erreicht.

DE

12. Technische Daten

Einsatzbedingungen

Umgebungstemperaturbereich

Ausführung 4 ... 20 mA (TR33-Z-TT)	-40 ... +85 °C [-40 ... +185 °F] Ausführung mit FKM O-Ring: -20 °C [-4 °F]
---------------------------------------	---

Ausführung Pt100 (TR33-Z-Px) / Pt1000 (TR33-Z-Sx)	-50 ... +85 °C [-58 ... +185 °F] Ausführung mit FKM O-Ring: -20 °C [-4 °F]
--	---

Lagertemperaturbereich

	-40 ... +85 °C [-40 ... +185 °F] Ausführung mit FKM O-Ring: -20 °C [-4 °F]
--	---

Klimaklasse nach IEC 60654-1

Ausführung 4 ... 20 mA (TR33-Z-TT)	Cx (-40 ... +85 °C [-40 ... +185 °F], 5 ... 95 % r. F.) Ausführung mit FKM O-Ring: -20 °C [-4 °F]
---------------------------------------	---

Ausführung Pt100 (TR33-Z-Px) / Pt1000 (TR33-Z-Sx)	Cx (-50 ... +85 °C [-58 ... +185 °F], 5 ... 95 % r. F.) Ausführung mit FKM O-Ring: -20 °C [-4 °F]
--	---

Maximal zulässige Feuchte, Betauung

	100 % r. F., Betauung zulässig
--	--------------------------------

Maximaler Betriebsdruck ^{1) 2)}

Bei Schutzrohr-Ø 3 mm [0,12 in]	140 bar [2.030 psi]
---------------------------------	---------------------

Bei Schutzrohr-Ø 6 mm [0,24 in]	270 bar [3.916 psi]
---------------------------------	---------------------

Salznebel

	IEC 60068-2-11
--	----------------

Schwingungsbeständigkeit nach IEC 60751

	10 ... 2.000 Hz, 20 g ¹⁾
--	-------------------------------------

Schockfestigkeit nach IEC 60068-2-27

	50 g, 6 ms, 3 Achsen, 3 Richtungen, 3-mal je Richtung
--	--

Maximal zulässige Autoklavier- bedingungen

	Max. 134 °C, 3 bar abs., 100 % r. F., Dauer 20 min., max. 50 Zyklen
--	--

	Autoklavierbar mit montierter Schutzkappe am Anschlussstecker
--	--

12. Technische Daten

Einsatzbedingungen

Bedingungen bei Verwendung im Außenbereich (betrifft nur UL/CSA-Zulassung)

- UL: Das Gerät eignet sich für Anwendungen mit Verschmutzungsgrad 3.
- CSA: Das Gerät eignet sich für Anwendungen mit Verschmutzungsgrad 2.
- Die Stromversorgung muss für den Betrieb oberhalb 2.000 m geeignet sein, falls der Temperaturtransmitter ab dieser Höhe verwendet wird.
- Gerät in witterungsgeschützten Standorten einbauen.
- Gerät gegen Sonnen-/UV-Strahlung geschützt einbauen.

Schutzart (IP-Code)

Gehäuse mit gestecktem Stecker³⁾

- IP67 nach IEC/EN 60529
- IP69 nach IEC/EN 60529
- IP69K nach ISO 20653

Die angegebenen Schutzarten gelten nur im gesteckten Zustand mit Leitungssteckern entsprechender Schutzart.

Anschlussstecker ungesteckt

IP67 nach IEC/EN 60529

Gewicht

Ca. 0,2 ... 0,7 kg [0,44 ... 1,54 lbs] - je nach Ausführung

- 1) Abhängig von der Geräteausführung
- 2) Reduzierter Betriebsdruck bei Verwendung einer Klemmverschraubung:
CrNi-Stahl = max. 100 bar [1.450 psi] / PTFE = max. 8 bar [116 psi]
- 3) Nicht getestet bei UL

→ Weitere technische Daten siehe WIKA-Datenblatt TE 60.33 und Bestellunterlagen.

Sommaire

1. Généralités	66
2. Conception et fonction	66
3. Sécurité	70
4. Transport, emballage et stockage	73
5. Mise en service et utilisation	74
6. Configuration	80
7. Logiciel de configuration WIKAsoft-TT	81
8. Connexion de l'unité de programmation PU-548	83
9. Dysfonctionnements	83
10. Entretien, nettoyage et étalonnage	85
11. Démontage, retour et mise au rebut	87
12. Spécifications	89
Annex: CSA control drawing	128

Déclarations de conformité disponibles sur www.wika.fr.

1. Généralités

- L'instrument décrit dans le mode d'emploi est conçu et fabriqué selon les dernières technologies. Tous les composants sont soumis à des critères de qualité et de respect de l'environnement stricts durant la fabrication. Nos systèmes de management sont certifiés selon les normes ISO 9001 et ISO 14001.
- Ce mode d'emploi donne des indications importantes concernant l'utilisation de l'instrument. Il est possible de travailler en toute sécurité avec ce produit en respectant toutes les consignes de sécurité et d'utilisation
- Respecter les prescriptions locales de prévention contre les accidents et les prescriptions générales de sécurité en vigueur pour le domaine d'application de l'instrument.
- Le mode d'emploi fait partie de l'instrument ; il doit être conservé à proximité immédiate de celui-ci et accessible à tout moment pour le personnel qualifié. Confier le mode d'emploi à l'utilisateur ou au propriétaire ultérieur de l'instrument.
- Le personnel qualifié doit, avant de commencer toute opération, avoir lu soigneusement et compris le mode d'emploi.
- En cas d'interprétation différente de la version traduite et de la version anglaise du mode d'emploi, c'est la version anglaise qui prévaut.
- Dans ce document, le masculin générique est utilisé à des fins de lisibilité. Les identités féminines et les autres identités de genre sont explicitement incluses.
- Le cas échéant, la documentation fournie par le fournisseur est également considérée comme faisant partie du produit, en plus du présent mode d'emploi.
- Les conditions générales de vente mentionnées dans les documents de vente s'appliquent.
- Sous réserve de modifications techniques.
- Pour obtenir d'autres informations :
 - Site Internet : www.wika.de / www.wika.fr
 - Fiche technique correspondante : TE 60.33
 - Conseiller applications : Tél. : +01 71 68 10 00
info@wika.fr

2. Conception et fonction

2.1 Description

La sonde à résistance type TR33 est composée d'un tube de protection avec un raccord process fixe et est vissée directement dans le process.

2. Conception et fonction

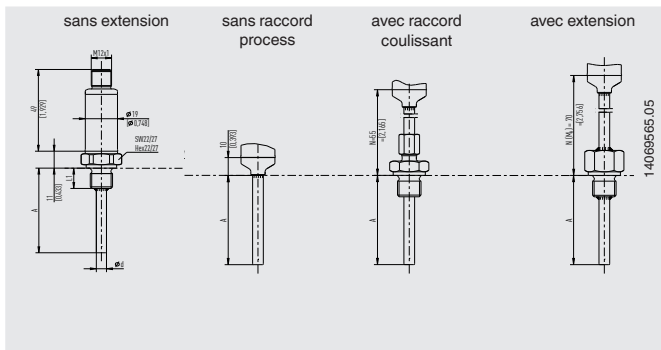
Si la sonde à résistance doit fonctionner dans un tube de protection supplémentaire, il faudra utiliser un raccord coulissant monté sur ressort. Elle est conçue de manière à résister aux chocs et vibrations, et tous les composants électriques sont protégés contre l'humidité (IP67 ou IP69K). La résistance aux vibrations est conforme à la norme CEI 60751 (20 g, en fonction de la version de l'instrument). La résistance aux chocs de l'ensemble des versions remplit les exigences de la norme CEI 60751. Surtout dans le cas de températures ambiantes élevées ou de fortes vibrations, veillez à ce que les charges mécaniques au niveau du connecteur soient minimisées. Le raccordement électrique s'effectue à l'aide d'un connecteur circulaire M12 x 1.

FR

Un adaptateur pour le raccordement électrique avec connecteur coudé selon EN 175301-803 est disponible en option.

2.2 Dimensions en mm [po]

■ Raccord process avec filetage parallèle (ou sans raccord process)



A une température de process $> 150\text{ }^{\circ}\text{C}$ [$302\text{ }^{\circ}\text{F}$], une longueur d'extension N (M_H) de 70 mm [2,76 in] est nécessaire, sinon N (M_H) sélectionnable (55 mm [2,17 in], 65 mm [2,56 in] ou 70 mm [2,76 in]).

Légende :

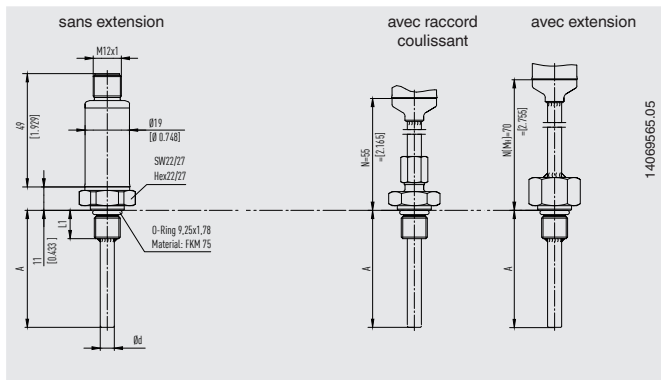
A (U_1) Longueur utile

N (M_H) Longueur extension

Ød Diamètre du doigt de gant

2. Conception et fonction

- Raccord process avec filetage parallèle (7/16-20 UNF-2A) et joint torique



Le joint torique FKM doit être protégé contre des températures inférieures à -20 °C [-4 °F] et supérieures à 125 °C [257 °F].

A une température de process $> 150\text{ °C}$ [302 °F], une longueur d'extension N (M_H) de 70 mm [2,76 in] est nécessaire, sinon N (M_H) sélectionnable (55 mm [2,17 in], 65 mm [2,56 in] ou 70 mm [2,76 in]).

Légende :

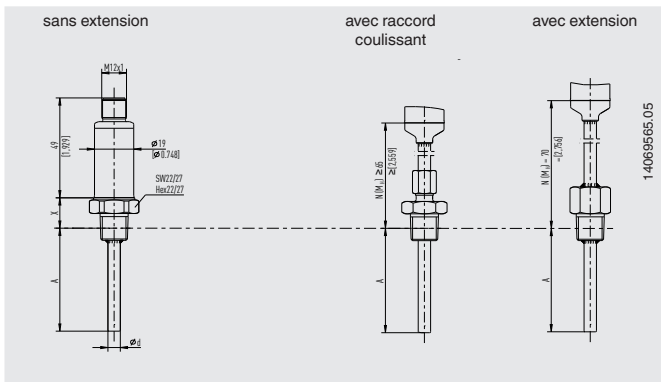
A (U_1) Longueur utile

N (M_H) Longueur extension

$\varnothing d$ Diamètre du doigt de gant

2. Conception et fonction

■ Raccord process avec filetage conique



A une température de process > 150 °C [302 °F], une longueur d'extension N (M_H) de 70 mm [2,76 in] est nécessaire, sinon N (M_H) sélectionnable (55 mm [2,17 in], 65 mm [2,56 in] ou 70 mm [2,76 in]).

Légende :

A (U_2) Longueur utile

N (M_H) Longueur extension

X Hauteur du raccord process

Ød Diamètre du doigt de gant

X Hauteur du raccord process

1/4 NPT = 15 mm [0,59 in]

1/2 NPT = 19 mm [0,75 in]

2.3 Détail de la livraison

Comparer le détail de la livraison avec le bordereau de livraison.

3. Sécurité

3. Sécurité

3.1 Explication des symboles



AVERTISSEMENT !

... indique une situation présentant des risques susceptibles de provoquer la mort ou des blessures graves si elle n'est pas évitée.



ATTENTION !

... indique une situation potentiellement dangereuse et susceptible de provoquer de légères blessures ou des dommages matériels et pour l'environnement si elle n'est pas évitée.



DANGER !

... indique les dangers liés au courant électrique. Danger de blessures graves ou mortelles en cas de non respect des consignes de sécurité.



AVERTISSEMENT !

... indique une situation présentant des risques susceptibles de provoquer des brûlures dues à des surfaces ou liquides chauds si elle n'est pas évitée.



Information

... met en exergue des conseils et recommandations utiles de même que des informations permettant d'assurer un fonctionnement efficace et normal.

3.2 Utilisation conforme à l'usage prévu

La sonde à résistance type TR33 est utilisée comme thermomètre à usage général et permet de mesurer des températures allant de -50 ... +150 °C [-58 ... 302 °F] (sans extension) et de -50 ... +250 °C [-58 ... +482 °F] (avec extension) dans des fluides liquides et gazeux. Elles peuvent être utilisées pour des pressions allant jusqu'à 140 bar [2.030 psi] avec un diamètre de capteur de 3 mm [0,12 in] et jusqu'à 270 bar [3.916 psi] avec un diamètre de tube de protection de 6 mm [0,24 in], en fonction de la version de l'instrument.

3. Sécurité

Le thermomètre convient pour une utilisation à l'intérieur et à l'extérieur.

L'instrument est conçu et construit exclusivement pour une utilisation conforme à l'usage prévu décrit ici et ne doit être utilisé qu'en conséquence.

Les spécifications techniques mentionnées dans ce mode d'emploi doivent être respectées. En cas d'utilisation non conforme ou de fonctionnement de l'instrument en dehors des spécifications techniques, un arrêt et contrôle doivent être immédiatement effectués par un collaborateur autorisé du service de WIKA.

Aucune réclamation ne peut être recevable en cas d'utilisation non conforme à l'usage prévu.

3.3 Qualification du personnel



AVERTISSEMENT !

Danger de blessure en cas de qualification insuffisante !

Une utilisation non conforme peut entraîner d'importants dommages corporels et matériels.

- ▶ Les opérations décrites dans ce mode d'emploi ne doivent être effectuées que par un personnel ayant la qualification décrite ci-après.
- ▶ Tenir le personnel non qualifié à l'écart des zones dangereuses.

Personnel qualifié en électricité

Le personnel qualifié en électricité est, en raison de sa formation spécialisée, de ses connaissances et de ses expériences de même que de sa connaissance des prescriptions nationales, des normes et directives en vigueur, en mesure d'effectuer les travaux sur les montages électriques, de reconnaître de façon autonome les dangers potentiels et de les éviter. Le personnel qualifié en électricité a été formé spécifiquement pour l'environnement de travail dans lequel il travaille et connaît les normes et réglementations applicables. Le personnel qualifié en électricité doit satisfaire aux dispositions des prescriptions juridiques en vigueur relatives à la protection contre les accidents.

Les conditions d'utilisation spéciales exigent également une

WIKA mode d'emploi type TR33

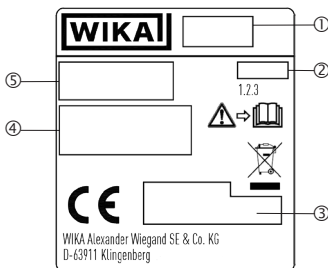
FR

3. Sécurité

connaissance adéquate, par ex. des liquides agressifs.

3.4 Etiquetage, marquages de sécurité

Plaques signalétiques (exemple)



- ① Type
- ② Date de fabrication (année-mois)
- ③ Logos d'agrément
- ④ Informations concernant la version (élément de mesure, signal de sortie, étendue de mesure ...)
 - Avec transmetteur et signal de sortie 4 ... 20 mA
 - Avec sortie capteur directe avec Pt100 et Pt1000
- ⑤ Numéro de série, numéro d'identification



Lire impérativement le mode d'emploi avant le montage et la mise en service de l'instrument.



Ne pas mettre au rebut avec les ordures ménagères. Assurer une mise au rebut correcte en conformité avec les réglementations nationales.

4. Transport, emballage et stockage

4. Transport, emballage et stockage

4.1 Transport

Vérifier s'il existe des dégâts sur l'instrument liés au transport. Communiquer immédiatement les dégâts constatés et ne pas utiliser les instruments endommagés.



ATTENTION !

Domages liés à un transport inapproprié

Un transport inapproprié peut donner lieu à des dommages importants.

- ▶ Lors du déchargement des colis à la livraison comme lors du transport des colis en interne après réception, il faut procéder avec soin et observer les consignes liées aux symboles figurant sur les emballages.
- ▶ Lors du transport en interne après réception, observer les instructions du chapitre 4.2 "Emballage", 4.3 "Stockage".

Si l'instrument est transporté d'un environnement froid dans un environnement chaud, la formation de condensation peut provoquer un dysfonctionnement fonctionnel de l'instrument. Il est nécessaire d'attendre que la température de l'instrument se soit adaptée à la température ambiante avant une nouvelle mise en service.

4.2 Emballage

N'enlever l'emballage qu'avant le montage.

Conserver l'emballage, celui-ci offre, lors d'un transport, une protection optimale (par ex. changement de lieu d'utilisation, renvoi pour réparation).

4.3 Stockage

Conditions admissibles sur le lieu de stockage :

- Température de stockage : -40 ... +85 °C [-40 ... +185 °F]
- Humidité : 5 ... 95 % h. r.

Eviter les influences suivantes :

- Lumière solaire directe ou proximité d'objets chauds
- Vibrations mécaniques, chocs mécaniques (mouvements brusques en le posant)
- Suie, vapeur, poussière et gaz corrosifs
- Environnements dangereux, atmosphères inflammables

FR

4. Transport, ... / 5. Mise en service et utilisation

Conserver l'instrument dans l'emballage original dans un endroit qui satisfait aux conditions susmentionnées. Si l'emballage d'origine n'est pas disponible, emballer et stocker l'instrument comme suit :

1. Emballer l'instrument dans une feuille de plastique antistatique.
2. Placer l'instrument avec le matériau isolant dans l'emballage.
3. En cas d'entreposage long (plus de 30 jours), mettre également un sachet absorbant d'humidité dans l'emballage.

FR 5. Mise en service et utilisation



AVERTISSEMENT !

Il convient d'éviter tout chargement mécanique sur les raccordements électriques et sur les boîtiers. L'accès à tous les raccordements ne doit être effectué que lorsque l'instrument n'est plus sous pression et qu'il est suffisamment refroidi.

Températures maximales admissibles :

- Sur le boîtier avec transmetteur : 85 °C [185 °F]
- Classe A :
 - Sans extension -30 ... +150 °C [-22 ... +302 °F]
 - Avec extension -30 ... +250 °C [-22 ... +482 °F]
- Classe B :
 - Sans extension -50 ... +150 °C [-58 ... +302 °F]
 - Avec extension -50 ... +250 °C [-58 ... +482 °F]

5.1 Installation

Ces sondes à résistance sont conçues de manière à être vissées directement dans le process. La longueur utile ainsi que le débit et la viscosité du fluide du process peuvent réduire la charge maximale sur le tube de protection.

Si la sonde à résistance doit fonctionner dans un tube de protection supplémentaire, il faudra utiliser un raccord coulissant monté sur ressort.

Le boîtier doit être relié à la terre pour protéger l'instrument contre les champs électromagnétiques et toute charge électrostatique. Il ne doit pas être raccordé spécifiquement à la liaison équipotentielle lorsqu'un contact métallique fixe et sécurisé est établi entre lui et le récipient ou ses composants ou tuyauteries, dans la mesure où ceux-ci sont

5. Mise en service et utilisation

raccordés à la liaison équipotentielle.

Lorsqu'il y a un contact non-métallique avec la cuve, avec ses éléments structuraux ou la tuyauterie, l'instrument doit être muni d'une liaison équipotentielle.

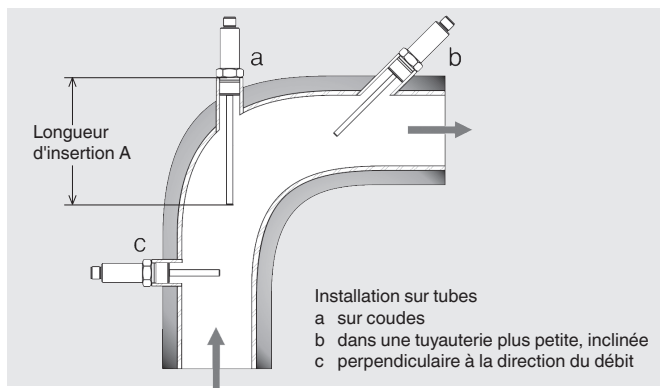


AVERTISSEMENT !

D'éventuelles réparations ou des modifications structurelles ne sont pas autorisées et entraînent l'annulation de la garantie.

FR

Exemples d'installation



Pour obtenir des informations relatives sur les trous de vissage, veuillez vous référer à la norme DIN 3852, ou ANSI B 1.20 pour les filetages NPT.

5. Mise en service et utilisation

5.1.1 Couples de serrage pour raccords coulissants

Etanchéité	Rotations	Pression maximale en bar
Ferrule en acier inox	1 ¼ ... 1 ½	100
Ferrule en acier inox à embout	1 ¼ ... 1 ½	100
Ferrule PTFE	1 ¼ ... 1 ½	8

FR

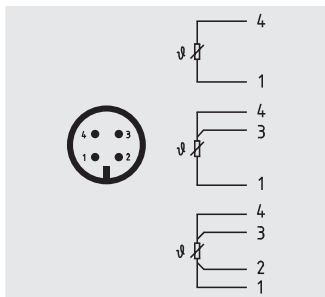
5.1.2 Couple de serrage pour le contre-connecteur M12 ou l'adaptateur M12

Sélectionner un couple de serrage de 0,6 Nm.

5.2 Raccordement électrique

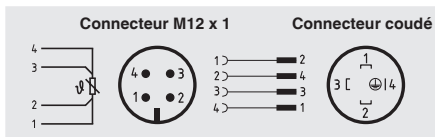
En fonction du type d'application, le raccordement électrique doit être protégé de tout dommage mécanique. Le raccordement électrique s'effectue à l'aide d'un connecteur circulaire M12 x 1 (4 plots).

- Signal de sortie Pt100 et Pt1000 (standard)



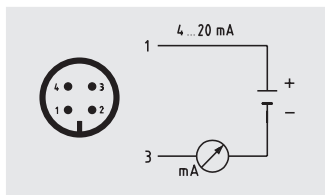
Autres configurations du raccordement possibles. Pour plus d'informations, voir la documentation de commande.

Accessoires : adaptateur Pt M12 x 1 sur connecteur coudé EN 175301-803



5. Mise en service et utilisation

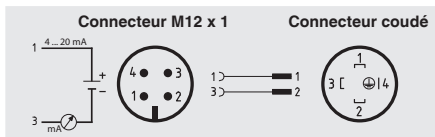
- Signal de sortie 4 ... 20 mA (standard)



Broche	Signal	Description
1	L+	10 ... 30 V
2	VQ	non raccordé
3	L-	0 V
4	C	non raccordé

Autres configurations du raccordement possibles. Pour plus d'informations, voir la documentation de commande.

Accessoires : adaptateur de transmetteur M12 x 1 sur connecteur coudé DIN EN 175301-803



Configuration du raccordement du connecteur coudé

Broche	Signal	Description
1	L+	10 ... 30 V
2	L-	0 V
3	VQ	non raccordé
4	C	non raccordé

5. Mise en service et utilisation



DANGER !

Danger vital à cause du courant électrique

Lors du contact avec des parties sous tension, il y a un danger vital direct.

- ▶ Le montage de l'instrument électrique ne doit être effectué que par du personnel qualifié.
- ▶ En cas d'utilisation avec une unité d'alimentation défectueuse (par exemple court-circuit entre la tension du secteur et la tension de sortie), des tensions présentant un danger vital peuvent apparaître sur l'instrument !
- ▶ Effectuer le montage uniquement en état hors tension.

FR

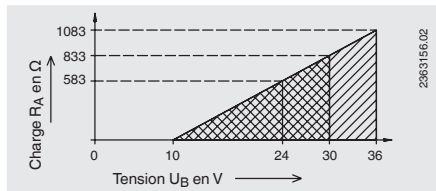
Ceci est un équipement de protection classe 3 pour le raccordement à des tensions faibles, qui sont séparées de l'alimentation secteur ou de tensions supérieures à 50 VAC ou 120 VDC. On recommande de préférence une connexion à un circuit SELV ou PELV ; on peut aussi utiliser les mesures de protection aux termes de IEC 60346-4-41 (norme DIN VDE 0100-410).

Alternative pour le continent nord-américain

Le raccordement peut être également effectué sur "circuits classe 2" ou des unités de "puissance classe 2" conformément au CEC (Canadian Electrical Code) ou NEC (National Electrical Code).

Diagramme de charge

La charge admissible dépend de la tension d'alimentation de la boucle. Pour la communication avec l'instrument à l'aide de l'unité de programmation PU-548, une charge maximale de 350 Ω est autorisée.



14073818, 13.11/2024 EN/DE/FR/ES

5. Mise en service et utilisation

Ne pas dépasser les valeurs suivantes:

■ Version avec signal de sortie 4 ... 20 mA

Alimentation et circuit avec boucle de courant (raccordements)

Tension U_i 30 VDC

Courant I_i 120 mA

Capacité interne effective C_i 6,2 nF

Conductivité interne effective L_i 110 μ H

Circuit capteur

Puissance P_o 37,5 mW

Température ambiante -40 ... +85 °C [-40 ... +185 °F]

L'auto-échauffement maximal sur l'extrémité du capteur est de 4 K

FR

■ Version avec signaux de sortie Pt100 et Pt1000

Circuit capteur

Tension U_i 30 VDC

Courant I_i 550 mA

Capacité interne effective négligeable

Conductivité interne effective négligeable

Température ambiante -40 ... +85 °C [-40 ... +185 °F]

5.3 Comportement du signal de sortie électrique 4 ... 20 mA

■ Rupture de capteur et court-circuit

La rupture de capteur ou le court-circuit sont signalés après la détection positive (après environ 1 seconde). Si cette condition de défaut a été causée par un mauvais fonctionnement, un signal de mesure correspondant doit exister pendant environ 1 seconde pour revenir au mode de mesure. A partir du moment de la détection d'erreur jusqu'à la signalisation de défaut, la dernière valeur mesurée pertinente sera émise sur la boucle de courant.

Par conséquent, dans le cas d'une "vraie" rupture de capteur ou d'un "vrai" court-circuit, ceci est également signalé de façon permanente. Dans le cas d'une "fausse" rupture de capteur ou d'un "faux" court-circuit, le transmetteur a la possibilité de revenir au mode de mesure.

5. 5. Mise en service et ... / 6. Configuration

■ Température du fluide en dehors de l'échelle

Si la température du fluide dépasse celle qui a été configurée au sein du transmetteur, une erreur sera signalée.

6. Configuration

FR

La configuration est réalisée à l'aide d'une interface USB avec un PC via l'unité de programmation type PU-548 (accessoires, code d'article 14231581). La connexion avec le thermomètre se fait par le câble adaptateur approprié (accessoires : connecteur circulaire M12 x 1, code d'article 14003193).

L'étendue de mesure, l'amortissement, la signalisation de défaut, le n° d'identification et d'autres paramètres peuvent être réglés (voir logiciel de configuration).



- Facile à utiliser
- Affichage d'état par LED
- Design compact
- Pas besoin de tension d'alimentation supplémentaire pour l'unité de programmation ou pour le transmetteur

(se substitue à l'unité de programmation type PU-448)

L'étendue de mesure peut être configurée entre $-50 \dots +250 \text{ }^{\circ}\text{C}$ [$-58 \dots +482 \text{ }^{\circ}\text{F}$]. Le logiciel de configuration contrôle l'étendue de mesure souhaitée et accepte uniquement les valeurs admissibles. Les valeurs intermédiaires sont configurables ; l'incrément le plus petit est $0,1 \text{ }^{\circ}\text{C}$ ou $0,1 \text{ }^{\circ}\text{F}$. Les sondes sont livrées avec une configuration selon les souhaits du client dans les limites des possibilités de configuration.

Attention :

L'étendue de mesure de la sonde est limitée par la plage d'application de l'élément de mesure, et non par la plage de réglage du transmetteur.

6. Configuration / 7. Logiciel de configuration ...

Températures maximales admissibles :

- Sur le boîtier avec transmetteur : 85 °C [185 °F]
- Classe A : Sans extension -30 ... +150 °C [-22 ... +302 °F]
Avec extension -30 ... +250 °C [-22 ... +482 °F]
- Classe B : Sans extension -50 ... +150 °C [-58 ... +302 °F]
Avec extension -50 ... +250 °C [-58 ... +482 °F]

FR

7. Logiciel de configuration WIKAsoft-TT

Pour l'installation, veuillez suivre les instructions habituelles d'installation.

7.1 Démarrer le logiciel

Lancer le logiciel de configuration en double-cliquant sur l'icône WIKAsoft-TT.

Après avoir démarré le logiciel, changer la langue en sélectionnant le drapeau du pays correspondant. Le port COM est sélectionné automatiquement.

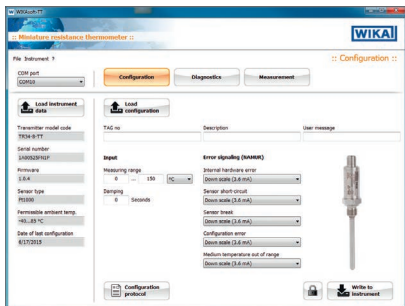


Après la connexion d'un transmetteur (à l'aide de la PU-548), l'interface de configuration est chargée en appuyant sur le bouton "Démarrer".

L'interface de configuration ne peut être chargée que lorsqu'un instrument est connecté.

7.2 Procédure de configuration

Les étapes 1 et 2 sont effectuées automatiquement lors du démarrage du logiciel



14073818.13 11/2024 EN/DE/FR/ES

7. Logiciel de configuration WIKAsoft-TT

1. "Chargement des données de l'instrument"
2. "Chargement de la configuration"
3. [option] Annuler la protection en écriture (symbole "clé" en bas à droite)
4. Modifier les paramètres requis
→ Capteur/Étendue du mesure/Signalisation d'erreur etc.
5. "Enregistrer sur l'instrument"
6. [option] Activer la protection en écriture
7. [option] Imprimer l'historique de la configuration
8. [option] Test : "Chargement de la configuration" → contrôle de la configuration

FR

7.3 Diagnostic d'erreur

Ici, en cas "d'erreur détectée par le transmetteur", le message d'erreur est affiché. Exemples : rupture de capteur, température maximale autorisée dépassée, etc. En fonctionnement normal, "Pas d'erreur - Pas de demande de maintenance" est affiché ici.

7.4 Valeurs mesurées

Enregistreur à ligne - Ici la progression de valeur mesurée est représentée sous forme de graphique avec un taux d'échantillonnage constant dans un intervalle de temps défini (180 secondes) et un axe de température variable. L'afficheur sert uniquement pour la vérification fonctionnelle et pour information. Il n'est pas possible d'exporter les données.

7.5 Configuration de plusieurs instruments de manière identique

- Premier instrument
 1. "Chargement de la configuration"
 2. [option] Annuler la protection en écriture (symbole "clé" en bas à droite)
 3. Modifier les paramètres requis
 4. "Enregistrer sur l'instrument"
 5. [option] Activer la protection en écriture
- Tous les instruments suivants
 1. "Chargement des données de l'instrument"
 2. [option] Désactiver la protection en écriture
 3. [option] Modifier les paramètres requis, par exemple numéro d'identification
 4. "Enregistrer sur l'instrument"
 5. [option] Activer la protection en écriture

14073818_13_11/2024 EN/DE/FR/ES

8. Connexion de l'unité de programmation PU-548

Connexion PU-548 ↔ câble adaptateur avec connecteur M12



(modèle précédent, unité de programmation type PU-448, également compatible)

9. Dysfonctionnements



ATTENTION !

Blessures physiques et dommages aux équipements et à l'environnement

Si les défauts ne peuvent pas être éliminés au moyen des mesures listées ci-dessus, l'instrument doit être mis hors service immédiatement.

- ▶ S'assurer que la pression ou le signal n'est plus présent et protéger contre une mise en service accidentelle.
- ▶ Contacter le fabricant.
- ▶ S'il est nécessaire de retourner l'instrument au fabricant, respecter les indications mentionnées au chapitre 11.2 "Retour".

9. Dysfonctionnements



AVERTISSEMENT !

Blessures physiques et dommages aux équipements et à l'environnement causés par un fluide dangereux

Lors du contact avec un fluide dangereux (par ex. oxygène, acétylène, substances inflammables ou toxiques), un fluide nocif (par ex. corrosif, toxique, cancérigène, radioactif), et également avec des installations de réfrigération et des compresseurs, il y a un danger de blessures physiques et de dommages aux équipements et à l'environnement.

En cas d'erreur, des fluides agressifs peuvent être présents à une température extrême et sous une pression élevée ou sous vide au niveau de l'instrument.

- Pour ces fluides, les codes et directives appropriés existants doivent être observés en plus des réglementations standard.



Pour le détail des contacts voir le chapitre 1 "Généralités" ou au dos du mode d'emploi.

Dysfonctionnements	Raisons	Mesures
Aucun signal/ Rupture de câble	Charge mécanique trop élevée ou température excessive	Remplacer le capteur par une version adaptée
Valeurs mesurées erronées	Dérive du capteur causée par une température excessive	Remplacer le capteur par une version adaptée
	Dérive du capteur causée par une attaque chimique	Analyse du fluide
Valeurs mesurées erronées (trop basses)	Pénétration d'humidité dans le câble	Utiliser l'indice de protection IP approprié

Dysfonctionnements	Raisons	Mesures
Valeurs mesurées erronées et temps de réponse trop longs	Géométrie de montage incorrecte, par exemple profondeur de montage trop faible ou dissipation thermique trop élevée	La zone thermosensible du capteur doit se trouver dans le fluide et les mesures de surface doivent être isolées
	Dépôts sur le tube de protection	Éliminer les dépôts
Interruptions temporaires ou intermittentes du signal de valeur mesurée	Rupture de câble dans le câble de raccordement ou contact lâche causé par une surcharge mécanique	Remplacer le capteur ou utiliser une section de conducteur plus épaisse
Corrosion	La composition du fluide n'est pas celle exigée ou est modifiée	Analyse du fluide
Interférence du signal	Courants vagabonds provoqués par des champs électriques ou des boucles de terre	Utilisation de câbles de raccordement blindés, augmentation de la distance par rapport aux moteurs et lignes électriques
	Circuits de terre	Élimination des potentiels, utilisation de barrières ou de transmetteurs avec isolation galvanique

10. Entretien, nettoyage et étalonnage



Pour le détail des contacts voir le chapitre 1 “Généralités” ou au dos du mode d'emploi.

10.1 Entretien

Les sondes à résistance décrites dans ce document ne nécessitent pas de maintenance et ne comportent aucun composant devant faire l'objet d'une réparation ou d'un échange.

10.2 Nettoyage



ATTENTION !

Blessures physiques et dommages aux équipements et à l'environnement

Un nettoyage inapproprié peut conduire à des blessures physiques et à des dommages aux équipements ou à l'environnement. Les restes de fluides se trouvant dans les instruments démontés peuvent mettre en danger les personnes, l'environnement ainsi que l'installation.

- ▶ Effectuer la procédure de nettoyage comme décrit ci-dessous.

- ▶ Avant le nettoyage, débrancher correctement l'instrument.
- ▶ Nettoyer l'instrument avec un chiffon humide.
- ▶ Eviter tout contact des raccordements électriques avec l'humidité !



ATTENTION !

Dommages à l'instrument

Un nettoyage inapproprié peut conduire à l'endommagement de l'instrument !

- ▶ Ne pas utiliser de détergents agressifs.
- ▶ Ne pas utiliser d'objets pointus ou durs pour le nettoyage.

- ▶ Laver et décontaminer l'instrument démonté afin de protéger les personnes et l'environnement contre le danger lié aux résidus de fluides.

10.3 Etalonnage, réétalonnage

Il est recommandé que l'insert l'instrument soit réétalonné à intervalles réguliers (environ 24 mois). Cette période peut être réduite, en fonction de l'application particulière. L'étalonnage peut être effectué par le fabricant, ainsi que sur le site par du personnel technique qualifié avec des instruments d'étalonnage.

11. Démontage, retour et mise au rebut

11. Démontage, retour et mise au rebut

11.1 Démontage



AVERTISSEMENT !

Blessures physiques et dommages aux équipements et à l'environnement liés aux résidus de fluides

Lors du contact avec un fluide dangereux (par ex. oxygène, acétylène, substances inflammables ou toxiques), un fluide nocif (par ex. corrosif, toxique, cancérigène, radioactif), et également avec des installations de réfrigération et des compresseurs, il y a un danger de blessures physiques et de dommages aux équipements et à l'environnement.

- ▶ Avant de stocker l'instrument démonté (à la suite de son utilisation), le laver ou le nettoyer afin de protéger le personnel et l'environnement contre le danger lié aux résidus de fluides.
- ▶ Utiliser l'équipement de protection requis (en fonction de l'application ; le thermomètre lui-même n'est en principe pas dangereux).
- ▶ Observer les informations de la fiche de données de sécurité du fluide correspondant.

Déconnecter la sonde à résistance uniquement une fois que le système a été mis hors pression !



AVERTISSEMENT !

Danger de brûlure

Durant le démontage, il y a un danger lié à l'échappement de fluides dangereusement chauds.

- ▶ Avant le démontage du thermomètre, laisser refroidir suffisamment l'instrument !

11.2 Retour

En cas d'envoi de l'instrument, il faut respecter impérativement ceci :

11. Démontage, retour et mise au rebut

Tous les instruments envoyés à WIKA doivent être exempts de toute substance dangereuse (acides, solutions alcalines, solutions, etc.).



AVERTISSEMENT !

Blessures physiques et dommages aux équipements et à l'environnement liés aux résidus de fluides

Les restes de fluides se trouvant dans les instruments démontés peuvent mettre en danger les personnes, l'environnement ainsi que l'installation.

- ▶ Avec les substances dangereuses, inclure la fiche technique de sécurité de matériau pour le fluide correspondant.
- ▶ Nettoyer l'instrument, voir chapitre 10.2 "Nettoyage".

Pour retourner l'instrument, utiliser l'emballage original ou un emballage adapté pour le transport.

Pour éviter des dommages :

1. Emballer l'instrument dans une feuille de plastique antistatique.
2. Placer l'instrument avec le matériau isolant dans l'emballage.
Isoler de manière uniforme tous les côtés de l'emballage de transport.
3. Mettre si possible un sachet absorbant d'humidité dans l'emballage.
4. Indiquer lors de l'envoi qu'il s'agit d'un instrument de mesure très sensible à transporter.



Des informations relatives à la procédure de retour sont disponibles sur notre site Internet à la rubrique "Services".

11.3 Mise au rebut

Une mise au rebut inadéquate peut entraîner des dangers pour l'environnement.

Éliminer les composants des instruments et les matériaux d'emballage conformément aux prescriptions nationales pour le traitement et l'élimination des déchets et aux lois de protection de l'environnement en vigueur.

11. Démontage, retour et mise au rebut



Ne pas mettre au rebut avec les ordures ménagères.
Assurer une mise au rebut correcte en conformité avec les réglementations nationales.

12. Spécifications

Élément de mesure

Type d'élément de mesure

Version 4 ... 20 mA (TR33-Z-TT)	Pt1000 (courant de mesure < 0,3 mA ; l'auto-échauffement peut être négligé)
Version Pt100 (TR33-Z-Px) / Pt1000 (TR33-Z-Sx)	■ Pt100 (courant de mesure : 0,1 ... 1,0 mA) ■ Pt1000 (courant de mesure : 0,1 ... 0,3 mA)

Type de raccordement

Version 4 ... 20 mA (TR33-Z-TT)	2 fils
Version Pt100 (TR33-Z-Px) / Pt1000 (TR33-Z-Sx)	2 fils
	3 fils
	4 fils

Valeur de tolérance de l'élément de mesure ²⁾ selon CEI 60751

Version 4 ... 20 mA (TR33-Z-TT)	Classe A
Version Pt100 (TR33-Z-Px) / Pt1000 (TR33-Z-Sx)	■ Classe A ■ Classe B à 2 fils

Caractéristiques de précision (version 4 ... 20 mA)

Valeur de tolérance de l'élément de mesure ²⁾ selon CEI 60751	Classe A
Ecart de mesure du transmetteur selon CEI 62828	±0,25 K
Compatibilité électromagnétique (CEM) ²⁾	EN 61326 émission (groupe 1, classe B) et immunité d'interférence (application industrielle), configuration à 20 % de l'étendue de mesure totale

12. Spécifications

Caractéristiques de précision (version 4 ... 20 mA)

Ecart de mesure total selon CEI 62828	Ecart de mesure de l'élément de mesure + transmetteur
Influence de la température ambiante	0,1 % de l'intervalle de mesure réglé / 10 K T _a
Influence de la tension d'alimentation	±0,025 % / V (dépend de l'alimentation électrique U _B)
Influence de la charge	±0,05 % / 100 Ω
Linéarisation	Linéaire par rapport à la température selon CEI 60751
Erreur de sortie	±0,1 % ³⁾
Conditions de référence	
Température ambiante T _a ref	23 °C
Tension d'alimentation U _B ref	12 VDC

- 1) ±0,2 % pour le début de l'étendue de mesure de moins de 0 °C [32 °F]
- 2) Pendant les interférences transitoires (par exemple burst, surge, DES), un écart de mesure d'un maximum de 2 % doit être pris en compte.
- 3) En fonction du raccord process, l'écart peut être plus important.

Etendue de mesure

Plage de température

Version 4 ... 20 mA (TR33-Z-TT)	Sans extension -30 ... +150 °C [-22 ... +302 °F] Avec extension -30 ... +250 °C [-22 ... +482 °F] ¹⁾ Version avec joint torique FKM : -20 ... +125 °C [-4 ... +257 °F]	
Version Pt100 (TR33-Z-Px) / Pt1000 (TR33-Z-Sx)	Classe A	Sans extension -30 ... +150 °C [-22 ... +302 °F] Avec extension -30 ... +250 °C [-22 ... +482 °F] Version avec joint torique FKM : -20 ... +125 °C [-4 ... +257 °F]
	Classe B	Sans extension -50 ... +150 °C [-58 ... +302 °F] Avec extension -50 ... +250 °C [-58 ... +482 °F]

12. Spécifications

Etendue de mesure

Unité (version 4 ... 20 mA)	Configurables °C, °F, K
Température au connecteur (version Pt100, Pt1000)	Max. 85 °C [185 °F]
Intervalle de mesure (version 4 ... 20 mA)	Minimum 20 K, maximum 300 K

1) C'est pourquoi le transmetteur de température doit être protégé des températures supérieures à 85 °C [185 °F].

FR

Raccord process

Type de raccord process

- G ¼ B
- G ⅜ B
- G ½ B
- ¼ NPT
- ½ NPT
- M12 x 1,5
- M20 x 1,5
- 7/16-20 UNF-2A

Tube de protection

Diamètre du doigt de gant	<ul style="list-style-type: none">■ 3 mm [0,12 in]■ 6 mm [0,24 in]
Longueur utile U ₁	<ul style="list-style-type: none">■ 50 mm [1,97 in]■ 75 mm [2,95 in] ¹⁾■ 100 mm [3,94 in] ¹⁾■ 120 mm [4,72 in] ¹⁾■ 150 mm [5,91 in] ¹⁾■ 200 mm [7,87 in] ¹⁾■ 250 mm [9,84 in] ¹⁾■ 300 mm [11,81 in] ¹⁾■ 350 mm [13,78 in] ¹⁾■ 400 mm [15,75 in] ¹⁾ <p>Autres longueurs sur demande</p>
Matériau (en contact avec le fluide)	Acier inox1.4571

1) Pas pour le diamètre du tube de protection 3 mm [0,12 in]

Si la sonde à résistance doit fonctionner dans un tube de protection supplémentaire, il faudra utiliser un raccord coulissant monté sur ressort.

12. Spécifications

Signal de sortie (version 4 ... 20 mA)

Sortie analogique	4 ... 20 mA, 2 fils
Charge R_A	$R_A \leq (U_B - 10 \text{ V}) / 23 \text{ mA}$ avec R_A en Ω et U_B en V
	La charge admissible dépend de la tension d'alimentation de la boucle. Pour la communication avec l'instrument à l'aide de l'unité de programmation PU-548, une charge maximale de 350 Ω est autorisée.
Configuration d'usine	
Etendue de mesure	Etendue de mesure 0 ... 150 °C [32 ... 302 °F]
	D'autres étendues de mesure sont réglables
Signaux de courant pour la signalisation de défaut	Configurable en conformité avec NAMUR NE 043 bas d'échelle $\leq 3,6 \text{ mA}$ haut d'échelle $\geq 21,0 \text{ mA}$
Valeur de courant pour court-circuit du capteur	Non configurable en conformité avec NAMUR NE 043 bas d'échelle $\leq 3,6 \text{ mA}$

Communication

Données d'information	N° d'identification, description et message d'utilisateur peuvent être stockés dans le transmetteur
Données de configuration et d'étalonnage	Stockées en permanence
Logiciel de configuration	WIKAsoft-TT → Logiciel de configuration (multilingue) téléchargeable sur www.wika.com

Tension d'alimentation

Tension d'alimentation U_B	10 ... 30 VDC
Entrée de tension d'alimentation	Protégée contre l'inversion de polarité
Ondulation résiduelle admissible de la tension d'alimentation	10 % générée par $U_B < 3 \%$ d'ondulation du courant de sortie

12. Spécifications

Signal de sortie (version 4 ... 20 mA)

Temps de réponse

Retard au démarrage, électrique	Max. 4 s (durée avant la première valeur mesurée)
Durée de préchauffage	Après environ 4 minutes, l'instrument fonctionnera conformément aux spécifications (précision) indiquées dans la fiche technique.

FR

Conditions de fonctionnement

Plage de température ambiante

Version 4 ... 20 mA (TR33-Z-TT)	-40 ... +85 °C [-40 ... +185 °F] Version avec joint torique FKM : -20 °C [-4 °F]
Version Pt100 (TR33-Z-Px) / Pt1000 (TR33-Z-Sx)	-50 ... +85 °C [-58 ... +185 °F] Version avec joint torique FKM : -20 °C [-4 °F]

Plage de température de stockage

-40 ... +85 °C [-40 ... +185 °F]
Version avec joint torique FKM :
-20 °C [-4 °F]

Classe climatique selon CEI 60654-1

Version 4 ... 20 mA (TR33-Z-TT)	Cx (-40 ... +85 °C [-40 ... +185 °F], 5 ... 95 % h. r.) Version avec joint torique FKM : -20 °C [-4 °F]
Version Pt100 (TR33-Z-Px) / Pt1000 (TR33-Z-Sx)	Cx (-50 ... +85 °C [-58 ... +185 °F], 5 ... 95 % h. r.) Version avec joint torique FKM : -20 °C [-4 °F]

Humidité maximale admissible, condensation

100 % h. r., condensation autorisée

Pression de service maximale ^{1) 2)}

Pour tube de protection Ø 3 mm [0,12 in]	140 bar [2.030 psi]
Pour tube de protection Ø 6 mm [0,24 in]	270 bar [3.916 psi]

Brouillard salin

CEI 60068-2-11

12. Spécifications

Conditions de fonctionnement

Résistance aux vibrations selon CEI 60751

10 ... 2.000 Hz, 20 g¹⁾

Résistance aux chocs selon CEI 60068-2-27

50 g, 6 ms, 3 axes, 3 directions, trois fois par direction

Conditions d'autoclavage maximales admissibles

Max. 134 °C, 3 bar abs., 100 % h. r., durée 20 mn, max. 50 cycles

Autoclavable avec bouchon de protection monté sur le connecteur du coupleur

Conditions pour un usage à l'extérieur (pour l'homologation UL/CSA seulement)

- UL: L'instrument convient pour des applications avec une pollution de degré 3.
- CSA: L'instrument convient pour des applications avec une pollution de degré 2.
- L'alimentation doit être capable de fonctionner au-dessus de 2.000 m dans le cas où le transmetteur de température serait utilisé à cette altitude.
- L'instrument doit être installé à l'abri des intempéries.
- L'instrument doit être installé à l'abri du soleil et de toute source de rayonnement UV.

Indice de protection (code IP)

Boîtier avec connecteur raccordé³⁾

- IP67 selon CEI/EN 60529
- IP69 selon CEI/EN 60529
- IP69K selon ISO 20653

L'indice de protection mentionné n'est valable que lorsqu'il y a un raccordement au moyen de connecteurs de ligne possédant l'indice de protection requis.

FR

12. Spécifications

Conditions de fonctionnement

Raccord couple, non raccordé

IP67 selon CEI/EN 60529

Poids

environ 0,2 ... 0,7 kg [0,44 ... 1,54 lbs] - en fonction de la version

- 1) Dépendant de la version de l'instrument
- 2) Pression de service réduite lors de l'utilisation d'un raccord coulissant :
Acier inox : max. 100 bar [1.450 psi], / PTFE = max. 8 bar [116 psi]
- 3) Non testé selon le standard UL

→ Pour de plus amples spécifications, voir la fiche technique WIKA TE 60.33 et la documentation de commande.

FR

12. Spécifications

FR

Contenido

1. Información general	98
2. Diseño y función	98
3. Seguridad	102
4. Transporte, embalaje y almacenamiento	105
5. Puesta en servicio y funcionamiento	106
6. Configuración	113
7. Software de configuración WIKAsoft-TT	114
8. Conectar la unidad de programación PU-548	116
9. Errores	116
10. Mantenimiento, limpieza y calibración	118
11. Desmontaje, devolución y eliminación de residuos	120
12. Datos técnicos	122
Annex: CSA control drawing	128

Declaraciones de conformidad puede encontrar en www.wika.es.

1. Información general / 2. Diseño y función

1. Información general

- El instrumento descrito en el manual de instrucciones está construido y fabricado según el estado actual de la técnica. Todos los componentes están sometidos durante su fabricación a estrictos criterios de calidad y medioambientales. Nuestros sistemas de gestión están certificados según ISO 9001 e ISO 14001.
- Este manual de instrucciones proporciona indicaciones importantes acerca del manejo del instrumento. Para un trabajo seguro, es imprescindible cumplir con todas las instrucciones de seguridad y manejo indicadas.
- Cumplir siempre las normativas sobre la prevención de accidentes y las normas de seguridad en vigor en el lugar de utilización del instrumento.
- El manual de instrucciones es una parte integrante del instrumento y debe guardarse en la proximidad del mismo para que el personal especializado pueda consultarlo en cualquier momento. Entregar el manual de instrucciones al usuario o propietario siguiente del instrumento.
- El personal especializado debe haber leído y entendido el manual de instrucciones antes de comenzar cualquier trabajo.
- En caso de interpretación diferente de las instrucciones de uso traducidas y las inglesas, prevalecerá la redacción inglesa.
- En este documento se utiliza el masculino genérico para una mejor legibilidad. Se incluye explícitamente la identidad femenina y otras identidades de género.
- Si está disponible, la documentación suministrada por el proveedor también se considera parte del producto, además de estas instrucciones de uso.
- Se aplican las condiciones generales de venta incluidas en la documentación de venta.
- Sujeto a modificaciones técnicas.
- Para obtener más información consultar:
 - Página web: www.wika.es / www.wika.com
 - Hoja técnica correspondiente: TE 60.33
 - Servicio técnico: Tel.: +34 933 938 630
info@wika.es

2. Diseño y función

2.1 Descripción

La termorresistencia modelo TR33 consta de una vaina con una conexión a proceso fija y se enrosca directamente al proceso.

2. Diseño y función

Si la termorresistencia debe funcionar en una vaina adicional, debe utilizarse un racor con resorte.

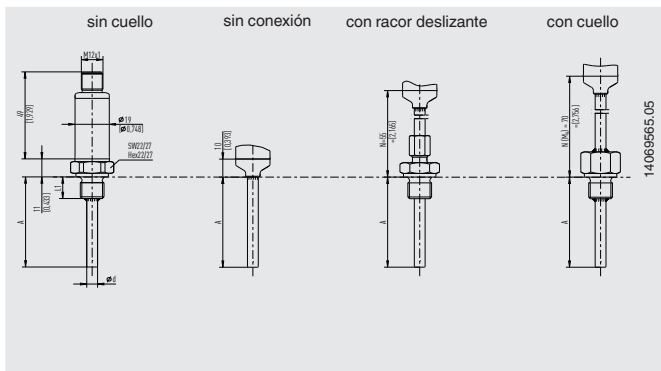
Es a prueba de golpes y vibraciones y todos los componentes eléctricos están protegidos contra la humedad (IP67 o IP69K). Su resistencia a vibraciones es conforme a IEC 60751 (20 g, depende de la versión del aparato). La resistencia a golpes de todas las versiones es conforme a los requerimientos de IEC 60751. Asegurarse de minimizar las cargas mecánicas sobre el conector, especialmente en caso de aumento de la temperatura ambiente o de fuertes cargas de vibración.

La conexión eléctrica se realiza mediante un conector circular M12 x 1. Está disponible un adaptador opcional para la conexión eléctrica mediante conector angular según EN 175301-803.

ES

2.2 Dimensiones en mm [pulg]

■ Conexión a proceso con rosca cilíndrica (o sin conexión)



A una temperatura de proceso de $> 150\text{ }^{\circ}\text{C}$ [$302\text{ }^{\circ}\text{F}$], es necesaria una longitud de cuello N (M_H) de 70 mm [2,76 pulg], de lo contrario N (M_H) seleccionable (55 mm [2,17 pulg], 65 mm [2,56 pulg] o 70 mm [2,76 pulg]).

Leyenda:

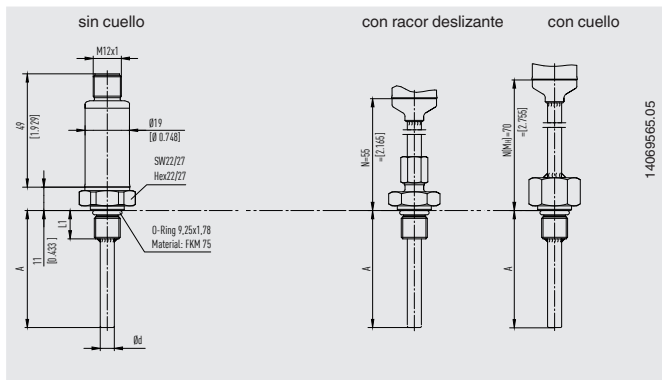
A (U_1) Longitud de montaje

N (M_H) Longitud de cuello

Ød Diámetro de la vaina de tubo

2. Diseño y función

■ Conexión a proceso con rosca paralela (7/16-20 UNF-2A) y junta tórica



ES

La junta tórica de FKM debe protegerse de las temperaturas inferiores a -20 °C [-4 °F] y superiores a 125 °C [257 °F].

A una temperatura de proceso de $> 150\text{ °C}$ [302 °F], es necesaria una longitud de cuello N (M_H) de 70 mm [2,76 pulg], de lo contrario N (M_H) seleccionable (55 mm [2,17 pulg], 65 mm [2,56 pulg] o 70 mm [2,76 pulg]).

Leyenda:

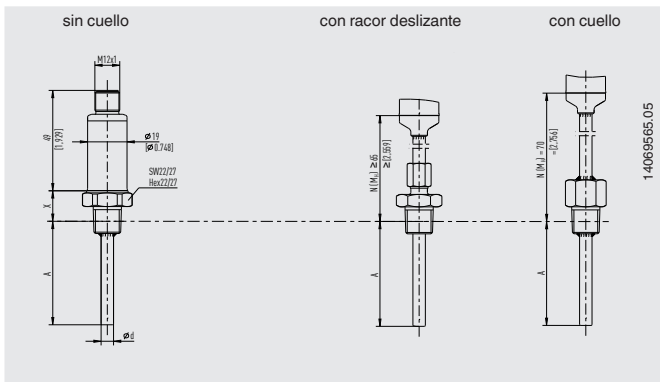
A (U_1) Longitud de montaje

N (M_H) Longitud de cuello

Ød Diámetro de la vaina de tubo

2. Diseño y función

■ Conexión con rosca cónica



A una temperatura de proceso de $> 150\text{ }^{\circ}\text{C}$ [$302\text{ }^{\circ}\text{F}$], es necesaria una longitud de cuello N (M_H) de 70 mm [2,76 pulg], de lo contrario N (M_H) seleccionable (55 mm [2,17 pulg], 65 mm [2,56 pulg] o 70 mm [2,76 pulg]).

Leyenda:

A (U_2) Longitud de montaje

N (M_H) Longitud de cuello

X Altura de la conexión a proceso

Ød Diámetro de la vaina de tubo

X Altura de la conexión a proceso

1/4 NPT = 15 mm [0,59 pulg]

1/2 NPT = 19 mm [0,75 pulg]

2.3 Alcance del suministro

Comparar mediante el albarán si se han entregado todas las piezas.

3. Seguridad

3. Seguridad

3.1 Explicación de símbolos



¡ADVERTENCIA!

... señala una situación probablemente peligrosa que puede causar la muerte o lesiones graves si no se evita.



¡CUIDADO!

... señala una situación probablemente peligrosa que puede causar lesiones leves o medianas o daños materiales y al medio ambiente si no se evita.



¡PELIGRO!

... identifica los peligros causados por la corriente eléctrica. La no observancia de las instrucciones de seguridad puede resultar en lesiones graves o la muerte.



¡ADVERTENCIA!

... señala una situación de peligro que puede provocar quemaduras causadas por superficies o líquidos calientes si no se evita.



Información

... destaca consejos y recomendaciones útiles así como informaciones para una utilización eficiente y libre de errores.

3.2 Uso conforme a lo previsto

La termorresistencia modelo TR33 se utiliza como termómetro universal para medir temperaturas de $-50 \dots +150 \text{ °C}$ [$-58 \dots +302 \text{ °F}$] (sin tubo de cuello) así como de $-50 \dots +250 \text{ °C}$ [$-58 \dots +482 \text{ °F}$] (con tubo de cuello) en líquidos o gases. Pueden utilizarse para presiones de hasta 140 bar [2.030 pulg] con diámetros de vaina de 3 mm [0,12 pulg] y hasta 270 bar [3.916 pulg] con diámetros de vaina de 6 mm [0,24 pulg], según la versión del instrumento.

3. Seguridad

El termómetro es apto para uso en interiores y exteriores.

El instrumento ha sido diseñado y construido únicamente para la finalidad aquí descrita y debe utilizarse en conformidad a la misma.

Cumplir las especificaciones técnicas de este manual de instrucciones. Un manejo no apropiado o una utilización del instrumento no conforme a las especificaciones técnicas requiere la inmediata puesta fuera de servicio y la comprobación por parte de un técnico autorizado por WIKA.

No se admite ninguna reclamación debido a un manejo no adecuado.

ES

3.3 Responsabilidad del usuario

La responsabilidad de selección del termómetro y la vaina, así como la selección del material para asegurar el funcionamiento seguro de la instalación o de la máquina la asume la empresa propietaria/operadora. Durante la elaboración de la oferta, WIKA puede dar recomendaciones únicamente basadas en experiencias con aplicaciones similares.

Se debe cumplir las notas de seguridad en este manual de instrucciones, así como la validez de las normas de seguridad de la unidad, de prevención de accidentes y protección del medio ambiente.

El usuario está obligado a mantener la placa de identificación bien legible.

3.4 Cualificación del personal



¡ADVERTENCIA!

¡Riesgo de lesiones debido a una insuficiente cualificación!

Un manejo no adecuado puede causar considerables daños personales y materiales.

- ▶ Las actividades descritas en este manual de instrucciones deben realizarse únicamente por personal especializado con la consiguiente cualificación.
- ▶ Mantener al personal no cualificado alejado de las zonas

3. Seguridad

potencialmente explosivas.

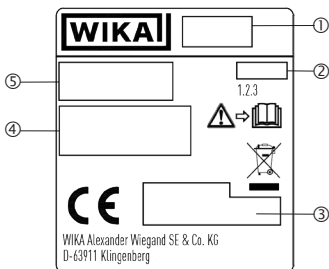
Técnicos cualificados

Debido a su formación profesional, a sus conocimientos así como a su experiencia y su conocimiento de las normativas, normas y directivas vigentes en el país de utilización los técnicos cualificados son capacitados de ejecutar los trabajos en sistemas eléctricos y reconocer y evitar posibles peligros. Los técnicos cualificados han sido formados específicamente para sus tareas y conocen las normativas y disposiciones relevantes. Los técnicos cualificados deben cumplir las normativas sobre la prevención de accidentes en vigor.

Algunas condiciones de uso específicas requieren conocimientos adicionales, p. ej. acerca de medios agresivos.

3.5 Rótulos, marcajes de seguridad

Placas de características (ejemplo)



- ① Modelo
- ② Fecha de fabricación (año/mes)
- ③ Logotipos de homologación
- ④ Datos de versión (elemento de medición, señal de salida, rango de medición...)
 - Con transmisor y señal de salida de 4 ... 20 mA
 - Con salida de sensor directa, con Pt100 y Pt1000
- ⑤ Número de serie, número Tag

3. Seguridad / 4. Transporte, embalaje y ...



¡Es absolutamente necesario leer el manual de instrucciones antes del montaje y la puesta en servicio del instrumento!



No eliminar en las basuras domésticas. Garantizar una eliminación correcta según las prescripciones nacionales.

4. Transporte, embalaje y almacenamiento

ES

4.1 Transporte

Comprobar si el instrumento presenta eventuales daños causados en el transporte. Notificar daños obvios de forma inmediata. No utilizar instrumentos dañados.



¡CUIDADO!

Daños debidos a un transporte inadecuado

Transportes inadecuados pueden causar daños materiales considerables.

- ▶ Tener cuidado al descargar los paquetes durante la entrega o el transporte dentro de la compañía y respetar los símbolos en el embalaje.
- ▶ Observar las instrucciones en el capítulo 4.2 “Embalaje”, 4.3 “Almacenamiento” en el transporte dentro de la compañía.

Si se transporta el instrumento de un ambiente frío a uno caliente, puede producirse un error de funcionamiento en el mismo. En tal caso, hay que esperar que la temperatura del instrumento se adapte a la temperatura ambiente antes de volver a ponerlo en funcionamiento.

4.2 Embalaje

No quitar el embalaje hasta justo antes del montaje.

Guardar el embalaje ya que es la protección ideal durante el transporte (por. ej. si el lugar de instalación cambia o si se envía el instrumento para posibles reparaciones).

4. Transporte, embalaje ... / 5. Puesta en ...

4.3 Almacenamiento

Condiciones admisibles en el lugar de almacenamiento:

- Temperatura de almacenamiento: -40 ... +85 °C [-40 ... +185 °F]
- Humedad: 5 ... 95 % h. r.

Evitar lo siguiente:

- Luz solar directa o proximidad a objetos calientes
- Vibración mecánica, impacto mecánico (colocación brusca)
- Hollín, vapor, polvo y gases corrosivos
- Entorno potencialmente explosivo, atmósferas inflamables

ES

Almacenar el instrumento en su embalaje original en un lugar que cumple las condiciones arriba mencionadas. Si no se dispone del embalaje original, empaquetar y almacenar el instrumento como sigue:

1. Envolver el instrumento en un film de plástico antiestático.
2. Colocar el instrumento junto con el material aislante en el embalaje.
3. Para un almacenamiento prolongado (más de 30 días) colocar una bolsa con un desecante en el embalaje.

5. Puesta en servicio y funcionamiento



¡ADVERTENCIA!

Deben evitarse los esfuerzos mecánicos de las conexiones eléctricas y de las cajas. Abrir todas las conexiones sólo cuando estén despresurizadas y enfriadas.

Temperaturas máximas admisibles:

- En caja con transmisor: 85 °C [185 °F]
- Clase A:
 - Sin cuello -30 ... +150 °C [-22 ... +302 °F]
 - Con cuello -30 ... +250 °C [-22 ... +482 °F]
- Clase B:
 - Sin cuello -50 ... +150 °C [-58 ... +302 °F]
 - Con cuello -50 ... +250 °C [-58 ... +482 °F]

5. Puesta en servicio y funcionamiento

5.1 Montaje

Estas termorresistencias están previstas para ser enroscadas directamente en el proceso. Longitud de montaje así como velocidad de caudal y viscosidad del medio pueden tener un efecto reductor con respecto a la carga máxima de la vaina.

Si la termorresistencia debe funcionar en una vaina adicional, debe utilizarse un racor con resorte.

La caja debe ser puesta a tierra contra campos electromagnéticos y carga electrostática. No tiene que conectarse por separado al sistema equipotencial si tiene ya un contacto metálico fijo y asegurado con el depósito o sus componentes, o con tuberías, en tanto éstos estén conectados con dicho sistema.

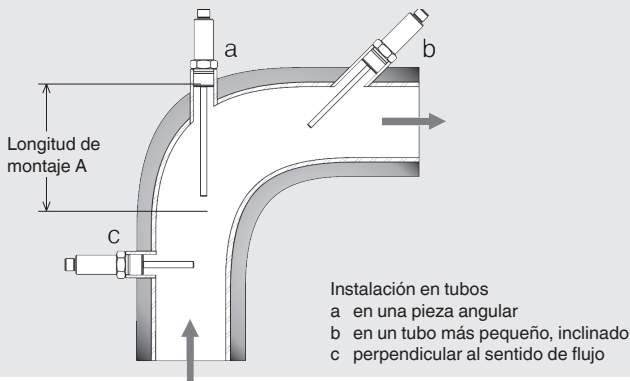
Si hay un contacto no metálico con el recipiente o sus partes constructivas o la tubería, debe dotarse el instrumento con una conexión equipotencial.



¡ADVERTENCIA!

No se permite ningún tipo de reparación ni modificación constructiva, ya que estas modificaciones provocan la anulación de la garantía.

Ejemplos de montaje



5. Puesta en servicio y funcionamiento

Consultar información sobre los orificios para atornillar en la norma DIN 3852 o para roscas NPT ANSI B 1.20.

5.1.1 Pares de apriete para racord deslizante

Sellado	Revoluciones	Presión máx. en bar
Anillo de compresión de acero inoxidable	1 ¼ ... 1 ½	100
Virola de acero inoxidable tipo mordedor	1 ¼ ... 1 ½	100
Anillo de compresión de PTFE	1 ¼ ... 1 ½	8

5.1.2 Par de apriete para el conector hembra M12 o el adaptador M12

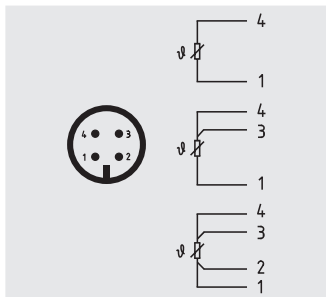
Seleccionar un par de apriete de 0,6 Nm.

5.2 Conexión eléctrica

Dependiendo de la aplicación se debe proteger la conexión eléctrica contra daños mecánicos. La conexión eléctrica se lleva a cabo con un conector circular M12 x 1 (4 polos).

5. Puesta en servicio y funcionamiento

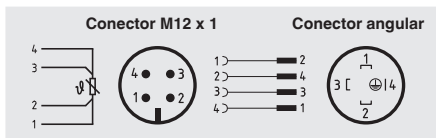
- Señal de salida Pt100 y Pt1000 (estándar)



Posibilidad de detalles de conexiones alternativas. Para más información véase la documentación de pedido.

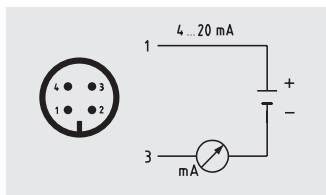
ES

Accesorios: adaptador Pt M12 x 1 a conector angular EN 175301-803



5. Puesta en servicio y funcionamiento

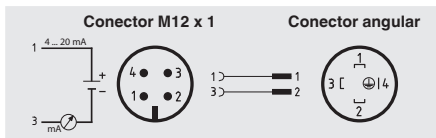
■ Señal de salida 4 ... 20 mA (estándar)



Pin	Señal	Descripción
1	L+	10 ... 30 V
2	VQ	no conectado
3	L-	0 V
4	C	no conectado

Posibilidad de detalles de conexiones alternativas.
Para más información véase la documentación de pedido.

Accesorios: adaptador para transmisor M12 x 1 a conector angular DIN EN 175301-803



Asignación de pines del conector angular

Pin	Señal	Descripción
1	L+	10 ... 30 V
2	L-	0 V
3	VQ	no conectado
4	C	no conectado

5. Puesta en servicio y funcionamiento



¡PELIGRO!

Peligro de muerte por corriente eléctrica

Existe peligro directo de muerte al tocar piezas bajo tensión.

- ▶ La instalación y el montaje del instrumento deben estar exclusivamente a cargo del personal especializado.
- ▶ ¡Si se hace funcionar con una fuente de alimentación defectuosa (p. ej. cortocircuito de la tensión de red a la tensión de salida), pueden generarse tensiones letales en el instrumento!
- ▶ Realizar la instalación sólo en estado sin tensión.

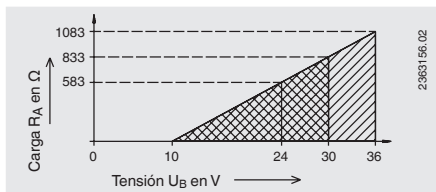
Eso es un dispositivo de la clase 3 para la utilización con baja tensión aislada de la tensión de red o de la tensión superior a AC 50 V y DC 120 V. Se recomienda una conexión a circuitos eléctricos SELV o PELV; y como alternativa se recomienda una medida de protección de IEC 60 346-4-41 (DIN VDE 0100-410).

Alternativa para EE.UU

La conexión puede realizarse también a “Class 2 Circuits” o “Class 2 Power Units” según CEC (Canadian Electrical Code) o NEC (National Electrical Code)

Diagrama de cargas

La carga admisible depende de la tensión del bucle de alimentación. Para la comunicación con el instrumento con unidad de programación PU-548 es admisible una carga máx. de 350 Ω .



5. Puesta en servicio y funcionamiento

No sobrepasar los siguientes valores:

■ Variante con señal de salida 4 ... 20 mA

Circuito de alimentación y de bucles de corriente (conexiones)

Tensión	U_i	DC 30 V
Corriente	I_i	120 mA
Capacidad interna efectiva	C_i	6,2 nF
Inductividad interna efectiva	L_i	110 μ H

Circuito eléctrico de sensores

Potencia	P_o	37,5 mW
Temperatura ambiente		-40 ... +85 °C [-40 ... +185 °F]
El máximo calentamiento propio en la punta de la sonda es de 4 K		

■ Variante con señal de salida Pt100 y Pt1000

Circuito eléctrico de sensores

Tensión	U_i	DC 30 V
Corriente	I_i	550 mA
Capacidad interna efectiva		De dimensión despreciable
Inductividad interna efectiva		De dimensión despreciable
Temperatura ambiente		-40 ... +85 °C [-40 ... +185 °F]

5.3 Comportamiento de la señal de salida eléctrica 4 ... 20 mA

■ Sensor roto y cortocircuito

La rotura de un sensor o un cortocircuito se señalan una vez detectados con seguridad (después de aprox. 1 seg). Sin embargo, si este error es causado por un funcionamiento incorrecto, es necesario proporcionar una señal de medición relevante durante aprox. 1 seg para poder volver al modo de medición. A partir de la detección hasta la señalización del error se indica el último valor de medición relevante en el bucle de corriente.

De este modo, si hay realmente un sensor roto o cortocircuito, este será señalizado permanentemente. En caso de una rotura de sensor "errónea" o si el sensor funciona correctamente o si no hay ningún cortocircuito, el transmisor puede reanudar la medición.

5. Puesta en servicio ... / 6. Configuración

■ Temperatura del medio fuera del intervalo

Si la temperatura del medio supera la configurada en el transmisor, se señalará un error.

6. Configuración

La configuración se efectúa a través del puerto USB de un ordenador con una unidad de programación modelo PU-548 (accesorio, nº de art. 14231581). Con un cable adaptador adecuado se establece la conexión con el termómetro (accesorios: conector circular M12 x 1, nº de art. 14003193).

Es posible ajustar rango de medición, amortiguación, señalización de fallos, nº Tag así como otros parámetros (véase el software de configuración).



- Fácil manejo
- LED indicador de estado
- Diseño compacto
- No se necesita ninguna alimentación de corriente adicional ni para la unidad de programación ni para el transmisor

(sustituye a la unidad de programación modelo PU-448)

El rango de medición se puede configurar entre $-50 \dots +250 \text{ }^{\circ}\text{C}$ [$-58 \dots +482 \text{ }^{\circ}\text{F}$]. El software de configuración controla el rango de medición deseado y solamente acepta valores admisibles. Es posible configurar valores intermedios, siendo el incremento más pequeño $0,1 \text{ }^{\circ}\text{C}$ o $0,1 \text{ }^{\circ}\text{F}$. Las sondas se fabrican configuradas según las especificaciones del cliente dentro de las posibilidades de configuración.

Nota:

El rango de medición la sonda se limita por el campo de aplicación del elemento sensible, no por el margen de ajuste del transmisor.

6. Configuración / 7. Software de configuración ...

Temperaturas máximas admisibles:

- En caja con transmisor: 85 °C [185 °F]
- Clase A: Sin cuello -30 ... +150 °C [-22 ... +302 °F]
Con cuello -30 ... +250 °C [-22 ... +482 °F]
- Clase B: Sin cuello -50 ... +150 °C [-58 ... +302 °F]
Con cuello -50 ... +250 °C [-58 ... +482 °F]

7. Software de configuración WIKAsoft-TT

ES

Seguir las instrucciones del asistente de instalación para instalar el software.

7.1 Iniciar el software

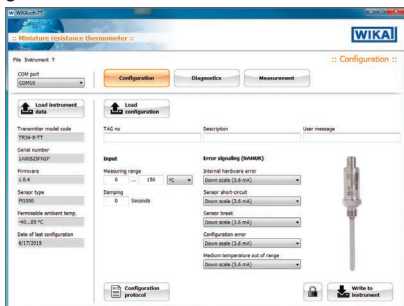
Iniciar el software de configuración haciendo doble clic en el icono WIKAsoft-TT.

Después de haber iniciado el software, se puede modificar el idioma mediante la bandera del país correspondiente. La selección del puerto COM se efectúa automáticamente.



Después de haber conectado un transmisor (con PU-548) se puede cargar la superficie de configuración activando el botón Inicio.

La superficie de configuración sólo puede cargarse con un dispositivo conectado.



7. Software de configuración WIKAsoft-TT

7.2 Proceso de la configuración

Los pasos 1 y 2 se llevan a cabo automáticamente al iniciar el software.

1. “Cargar datos de instrumento”
2. “Cargar configuración”
3. [opcional] Eliminar la protección contra escritura (símbolo de candado abajo a la derecha)
4. Modificación de los parámetros deseados
→ Sensor/rango de medición/señalización de errores, etc.
5. “Guardar en el instrumento”
6. Activar la protección contra escritura [opcional]
7. [opcional] Imprimir protocolo de configuración
8. [opcional] Prueba: “Cargar configuración” → Comprobar configuración

ES

7.3 Diagnóstico de fallo

Aquí se indica el mensaje de errores en caso de un “error detectado por el transmisor”. Ejemplos: Rotura de sensor, temperatura máxima admisible sobrepasada, etc. En caso de funcionamiento se indica aquí “ningún error - ninguna necesidad de mantenimiento”.

7.4 Valores de medición

Representación de gráficos de curvas – Aquí se representa el transcurso de los valores de medición en forma de una curva con una tasa de exploración constante en intervalos de tiempo definidos (180 segundos) y un eje de temperatura variable. El indicador sirve únicamente para la comprobación de funcionamiento y de información. Una exportación de los datos no es posible.

7.5 Configurar varios instrumentos de manera idéntica

- Primer instrumento
 1. “Cargar configuración”
 2. [opcional] Eliminar la protección contra escritura (símbolo de candado abajo a la derecha)
 3. Modificación de los parámetros deseados
 4. “Guardar en el instrumento”
 5. Activar la protección contra escritura [opcional]
- Resto de instrumentos
 1. “Cargar datos de instrumento”
 2. [opcional] Desbloquear la protección contra escritura
 3. [opcional] Modificar los parámetros deseados, p. ej., número Tag
 4. “Guardar en el instrumento”
 5. Activar la protección contra escritura [opcional]

8. Conectar la unidad de ... / 9. Errores

8. Conectar la unidad de programación PU-548

Conexión PU-548 ↔ cable adaptador para conexión M12



14004919.01

ES

(modelo anterior, unidad de programación modelo PU-448, igualmente compatible)

9. Errores



¡CUIDADO!

Lesiones corporales, daños materiales y del medio ambiente

Si no se pueden solucionar los defectos mencionados anteriormente se debe poner el dispositivo inmediatamente fuera de servicio.

- ▶ Asegurar que el dispositivo no queda expuesto a presión o una señal y protegerlo contra usos accidentales.
- ▶ Contactar el fabricante.
- ▶ Si necesita devolver el instrumento, observar las indicaciones en el capítulo 11.2 "Devolución".

9. Errores



¡ADVERTENCIA!

Lesiones corporales, daños materiales y del medio ambiente causados por medios peligrosos

En caso de contacto con medios peligrosos (p. ej. oxígeno, acetileno, inflamables o tóxicos) medios nocivos para la salud (p. ej. corrosivos, tóxicos, cancerígenos, radioactivos) y con sistemas de refrigeración o compresores, existe el peligro de lesiones corporales, daños materiales y al medio ambiente. En caso de fallo es posible que haya medios agresivos con temperaturas extremas o de bajo presión o que haya un vacío en el instrumento.

- ▶ En el tratamiento de estos medios se debe observar las reglas específicas además de las reglas generales.

ES



Datos de contacto ver capítulo 1 “Información general” o parte posterior del manual de instrucciones.

Errores	Causas	Medidas
Sin señal/rotura de cable	Carga mecánica excesiva o temperaturas extremas	Sustituir el sensor o la unidad de medida extraíble por una versión adecuada
Valores de medición erróneos	Desviación por sobretemperatura	Sustituir el sensor o la unidad de medida extraíble por una versión adecuada
	Desviación por ataque químico	Analizar el medio
Valores de medición erróneos (demasiado bajos)	Penetración de humedad en el cable	Utilizar protección IP adecuada

9. Errores / 10. Mantenimiento, limpieza y ...

Errores	Causas	Medidas
Valores de medición erróneos y tiempos de activación demasiado largos	Geometría de montaje equivocada, p. ej. profundidad de montaje demasiado reducida o disipación de calor demasiado elevada	La zona del sensor sensible a la temperatura debe situarse en el interior del medio y las superficies deben estar aisladas
	Depósitos en la vaina	Eliminar los residuos
Interrupciones temporáneas o esporádicas de la señal del valor de medición	Rotura en el cable de conexión o contacto intermitente por sobrecarga mecánica	Sustituir el sensor o usar una sección de cable mayor
Corrosión	La composición del medio no coincide con la composición supuesta o se ha modificado	Analizar el medio
Señal perturbada	Interferencia por campos eléctricos o bucles de tierra	Utilizar líneas de conexión blindadas, aumentar la distancia a motores y líneas bajo corriente
	Bucles de tierra	Eliminar los potenciales, utilizar seccionadores de alimentación o transmisores aislados galvánicamente

ES

10. Mantenimiento, limpieza y calibración



Datos de contacto ver capítulo 1 “Información general” o parte posterior del manual de instrucciones.

10. Mantenimiento, limpieza y calibración

10.1 Mantenimiento

Las termorresistencias descritas aquí no requieren mantenimiento y no llevan componentes que pudieran ser susceptibles de reparación o sustitución.

10.2 Limpieza



¡CUIDADO!

Lesiones corporales, daños materiales y del medio ambiente

Una limpieza inadecuada provoca lesiones corporales, daños materiales y del medio ambiente. Medios residuales en el instrumento desmontado pueden causar riesgos para personas, medio ambiente e instalación.

► Realizar el proceso de limpieza tal como se describe a continuación.

- Antes de limpiar desconectar el instrumento de la red.
- Limpiar el instrumento con un trapo húmedo.
- ¡No poner las conexiones eléctricas en contacto con la humedad!



¡CUIDADO!

Daño al dispositivo

¡Una limpieza inadecuada puede dañar el dispositivo!

- No utilizar productos de limpieza agresivos.
- No utilizar objetos duros o puntiagudos para limpiar.

- Enjuagar y limpiar el aparato desmontado para proteger a las personas y el medio ambiente contra peligros por medios residuales adherentes.

10.3 Calibración, recalibración

Se recomienda recalibrar al instrumento a intervalos periódicos de aprox. 24 meses. Este período se acorta en función de las aplicaciones específicas. La calibración puede ser realizada por el fabricante o directamente in situ, con instrumentos de calibración manejados por personal técnico cualificado.

11. Desmontaje, devolución y eliminación de ...

11. Desmontaje, devolución y eliminación de residuos

11.1 Desmontaje



¡ADVERTENCIA!

Lesiones corporales, daños materiales y del medio ambiente por medios residuales

En caso de contacto con medios peligrosos (p. ej. oxígeno, acetileno, inflamables o tóxicos) medios nocivos para la salud (p. ej. corrosivas, tóxicas, cancerígenas radioactivas) y con sistemas de refrigeración o compresores existe el peligro de lesiones corporales, daños materiales y del medio ambiente.

- ▶ Enjuagar y limpiar el dispositivo desmontado (tras servicio) antes de proceder a su almacenaje para proteger a las personas y el medio ambiente de la exposición a medios adherentes.
- ▶ Utilizar el equipo de protección necesario (en función de la aplicación correspondiente; el termómetro mismo en principio no es peligroso).
- ▶ Observar la ficha de datos de seguridad correspondiente al medio.

¡Desmontar las termostatos sólo si no están sometidos a presión!



¡ADVERTENCIA!

Riesgo de quemaduras

Peligro debido a medios muy calientes que se escapan durante el desmontaje.

- ▶ ¡Dejar enfriar el instrumento lo suficiente antes de desmontarlo!

11.2 Devolución

Es imprescindible observar lo siguiente para el envío del instrumento:

Todos los instrumentos enviados a WIKA deben estar libres de

11. Desmontaje, devolución y eliminación de ...

sustancias peligrosas (ácidos, lejías, soluciones, etc.).



¡ADVERTENCIA!

Lesiones corporales, daños materiales y del medio ambiente por medios residuales

Medios residuales en el instrumento desmontado pueden causar riesgos para personas, medio ambiente e instalación.

- ▶ En caso de sustancias peligrosas adjuntar la ficha de datos de seguridad correspondiente al medio.
- ▶ Limpieza del dispositivo, consultar el capítulo 10.2 "Limpieza".

Utilizar el embalaje original o un embalaje adecuado para la devolución del instrumento.

Para evitar daños:

1. Envolver el instrumento en un film de plástico antiestático.
2. Colocar el instrumento junto con el material aislante en el embalaje. Aislar uniformemente todos los lados del embalaje de transporte.
3. Si es posible, adjuntar una bolsa con secante.
4. Aplicar un marcaje que indique que se trata de un envío de un instrumento de medición altamente sensible.



Comentarios sobre el procedimiento de las devoluciones encuentra en el apartado "Servicio" en nuestra página web local.

11.3 Eliminación de residuos

Una eliminación incorrecta puede provocar peligros para el medio ambiente.

Eliminar los componentes de los instrumentos y los materiales de embalaje conforme a los reglamentos relativos al tratamiento de residuos y eliminación vigentes en el país de utilización.



No eliminar en las basuras domésticas. Garantizar una eliminación correcta según las prescripciones nacionales.

12. Datos técnicos

12. Datos técnicos

Elemento sensible

Tipo de elemento sensible

Versión 4 ... 20 mA (TR33-Z-TT)	Pt1000 (corriente de medición < 0,3 mA; se puede ignorar el autocalentamiento)
Versión Pt100 (TR33-Z-Px) / Pt1000 (TR33-Z-Sx)	<ul style="list-style-type: none">■ Pt100 (corriente de medición 0,1 ... 1,0 mA)■ Pt1000 (corriente de medición 0,1 ... 0,3 mA)

Tipo de conexionado

Versión 4 ... 20 mA (TR33-Z-TT)	2 hilos
Versión Pt100 (TR33-Z-Px) / Pt1000 (TR33-Z-Sx)	2 hilos
	3 hilos
	4 hilos

Desviación límite del elemento sensible ²⁾ según IEC 60751

Versión 4 ... 20 mA (TR33-Z-TT)	Clase A
Versión Pt100 (TR33-Z-Px) / Pt1000 (TR33-Z-Sx)	<ul style="list-style-type: none">■ Clase A■ Clase B para 2 hilos

Datos de exactitud (versión de 4 ... 20 mA)

Desviación límite del elemento sensible ¹⁾ según IEC 60751	Clase A
Error de medición del transmisor según IEC 62828	±0,25 K
Compatibilidad electromagnética (CEM) ²⁾	EN 61326 emisión (grupo 1, clase B) y resistencia a interferencias (ámbito industrial), configuración a 20 % del rango de medición completo
Error total de medición según IEC 62828	Error de medición del elemento de medición + del transmisor
Influencia de la temperatura ambiente	0,1 % del conjunto de medición del span / 10 K T _a

12. Datos técnicos

Datos de exactitud (versión de 4 ... 20 mA)

Influencia de la alimentación auxiliar	$\pm 0,025\% / V$ (en función de la alimentación auxiliar U_B)
Influencia de la carga	$\pm 0,05\% / 100 \Omega$
Linealización	Linealidad según IEC 60751
Error de salida	$\pm 0,1\%^{3)}$
Condiciones de referencia	
Temperatura ambiente T_a ref	23 °C
Tensión de alimentación U_B ref	DC 12 V

- 1) Dependiendo de la conexión a proceso, la desviación puede ser mayor.
- 2) Durante las interferencias transitorias (p.ej. burst, surge, ESD) considerar un error de medición de hasta 2 %.
- 3) $\pm 0,2\%$ para el inicio del rango de medición inferior a 0 °C [32 °F]

Rango de medición

Rango de temperatura

Versión 4 ... 20 mA (TR33-Z-TT)	Sin cuello -30 ... +150 °C [-22 ... +302 °F] Con cuello -30 ... +250 °C [-22 ... +482 °F] ¹⁾ Versión con junta tórica FKM: -20 ... +125 °C [-4 ... +257 °F]	
Versión Pt100 (TR33-Z-Px) / Pt1000 (TR33-Z-Sx)	Clase A	Sin cuello -30 ... +150 °C [-22 ... +302 °F] Con cuello -30 ... +250 °C [-22 ... +482 °F] Versión con junta tórica FKM: -20 ... +125 °C [-4 ... +257 °F]
	Clase B	Sin cuello -50 ... +150 °C [-58 ... +302 °F] Con cuello -50 ... +250 °C [-58 ... +482 °F]
Unidad (versión de 4 ... 20 mA)	Configurables °C, °F, K	
Temperatura en el conector (versión Pt100, Pt1000)	Máx. 85 °C [185 °F]	

12. Datos técnicos

Rango de medición

Rango de medición (versión de 4 ... 20 mA)	mín. 20 K, máx. 300 K
---	-----------------------

- 1) Proteger el transmisor de temperatura de temperaturas superiores a 85 °C [185 °F].

Conexión a proceso

Tipo de de conexión a proceso	<ul style="list-style-type: none">■ G ¼ B■ G ⅜ B■ G ½ B■ ¼ NPT■ ½ NPT■ M12 x 1,5■ M20 x 1,5■ 7/16-20 UNF-2A
--------------------------------------	--

Vaina de tubo

Diámetro de la vaina de tubo	<ul style="list-style-type: none">■ 3 mm [0,12 pulg]■ 6 mm [0,24 pulg]
Longitud de montaje U₁	<ul style="list-style-type: none">■ 50 mm [1,97 pulg]■ 75 mm [2,95 pulg] ¹⁾■ 100 mm [3,94 pulg] ¹⁾■ 120 mm [4,72 pulg] ¹⁾■ 150 mm [5,91 pulg] ¹⁾■ 200 mm [7,87 pulg] ¹⁾■ 250 mm [9,84 pulg] ¹⁾■ 300 mm [11,81 pulg] ¹⁾■ 350 mm [13,78 pulg] ¹⁾■ 400 mm [15,75 pulg] ¹⁾ <p>Otras longitudes de montaje bajo pedido</p>
Material (en contacto con el medio)	Acero inoxidable 1.4571

- 1) No apto para el diámetro del tubo de protección 3 mm [0,12 pulg]

Si la termorresistencia debe funcionar en una vaina adicional, debe utilizarse un racor con resorte.

ES

12. Datos técnicos

Señal de salida (versión de 4 ... 20 mA)

Salida analógica	4 ... 20 mA, 2 hilos
Carga R_A	$R_A \leq (U_B - 10 V) / 23 \text{ mA}$ con R_A en Ω y U_B en V
	La carga admisible depende de la tensión del bucle de alimentación. Para la comunicación con el instrumento con unidad de programación PU-548 es admisible una carga máx. de 350 Ω .
Configuración de fábrica	
Rango de medición	Rango de medición: 0 ... 150 °C [32 ... 302 °F]
	Otros rangos de medición ajustables
Valores de corriente para señalización de errores	Configurable según NAMUR NE 043 descendente $\leq 3,6 \text{ mA}$ ascendente $\geq 21,0 \text{ mA}$
Valor de la corriente para el cortocircuito del sensor	No configurable según NAMUR NE 043 Descendente $\leq 3,6 \text{ mA}$
Comunicación	
Datos informativos	Nº Tag, descripción y mensaje para usuario pueden guardarse en el transmisor
Datos de configuración y calibración	Permanentemente guardados
Software de configuración	WIKAsoft-TT → El software de configuración (en varios idiomas) puede descargarse en www.wika.es
Alimentación de corriente	
Alimentación auxiliar U_B	DC 10 ... 30 V
Entrada de la energía auxiliar	Protección contra polaridad inversa
Ondulación residual admisible de la tensión de alimentación	10 % de U_B generado < 3 % ondulación de la corriente de salida

ES

12. Datos técnicos

Señal de salida (versión de 4 ... 20 mA)

Tiempo de respuesta

Retardo de conexión, eléctrico	Máx. 4 s (tiempo hasta el primer valor de medición)
Tiempo de calentamiento	Después de aprox. 4 minutos se obtienen los datos técnicos (exactitud) indicados en la hoja técnica.

Condiciones de utilización

Rango de temperaturas ambiente

Versión 4 ... 20 mA (TR33-Z-TT)	-40 ... +85 °C [-40 ... +185 °F] Versión con junta tórica FKM: -20 °C [-4 °F]
Versión Pt100 (TR33-Z-Px) / Pt1000 (TR33-Z-Sx)	-50 ... +85 °C [-58 ... +185 °F] Versión con junta tórica FKM: -20 °C [-4 °F]

Rango de temperatura de almacenamiento

-40 ... +85 °C [-40 ... +185 °F]
Versión con junta tórica FKM: -20 °C [-4 °F]

Clase climática según IEC 60654-1

Versión 4 ... 20 mA (TR33-Z-TT)	Cx (-40 ... +85 °C [-40 ... +185 °F], 5 ... 95 % h. r.) Versión con junta tórica FKM: -20 °C [-4 °F]
Versión Pt100 (TR33-Z-Px) / Pt1000 (TR33-Z-Sx)	Cx (-50 ... +85 °C [-58 ... +185 °F], 5 ... 95 % h. r.) Versión con junta tórica FKM: -20 °C [-4 °F]

Humedad máxima admisible, condensación

100 % h. r., rocío admisible

Presión de trabajo máxima ^{1) 2)}

Para vaina Ø 3 mm [0,12 pulg]	140 bar [2.030 pulg]
Para vaina Ø 6 mm [0,24 pulg]	270 bar [3.916 pulg]

Niebla salina

IEC 60068-2-11

Resistencia a la vibración según IEC 60751

10 ... 2.000 Hz, 20 g ¹⁾

Resistencia a choques según IEC 60068-2-27

50 g, 6 ms, 3 ejes, 3 direcciones, 3 veces por dirección

ES

12. Datos técnicos

ES

Condiciones de utilización	
Condiciones máximas admisibles para la esterilización en autoclave	Máx. 134 °C, 3 bar abs., 100 % h. r., duración 20 min., máx. 50 ciclos
	Autoclavable con tapa protectora montada en el conector del acoplador
Condiciones para el uso en exteriores (sólo se aplica a la homologación UL/CSA)	<ul style="list-style-type: none"> ■ UL: El instrumento es apto para aplicaciones con grado de suciedad 3. ■ CSA: El instrumento es apto para aplicaciones con grado de suciedad 2. ■ La alimentación eléctrica debe ser adecuada para aplicaciones en alturas superiores a 2.000 metros si se quiere utilizar el transmisor de temperatura a partir de esas alturas. ■ El instrumento debe instalarse protegido de la intemperie. ■ El instrumento debe instalarse protegido de la luz solar/radiación ultravioleta.
Protección IP	
Caja con conector enchufado ³⁾	<ul style="list-style-type: none"> ■ IP67 según IEC/EN 60529 ■ IP69 según IEC/EN 60529 ■ IP69K según ISO 20653
	Las clases de protección indicadas sólo son válidas en estado conectado con clavijas de cables y terminales según el modo de protección correspondiente.
Conectar sin enchufar	IP67 según IEC/EN 60529
Peso	aprox. 0,2 ... 0,7 kg [0,44 ... 1,54 lbs] - según la versión

1) Depende de la versión

2) Presión de trabajo reducida cuando se utiliza un racor de apriete:

Acero inoxidable = máx. 100 bar [1.450 pulg] / PTFE = máx. 8 bar [116 pulg]

3) No se ha probado con UL

→ Para consultar más datos técnicos, veáse la hoja técnica de WIKA TE 60.33 y la documentación del pedido.

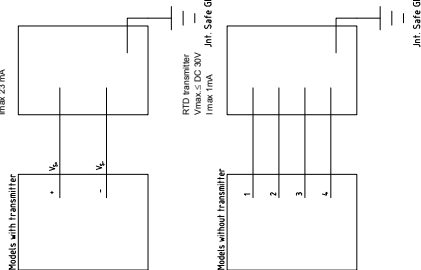
Installation in ordinary locations

For information only, do not obligatory

14105400.01

Electrical ratings TR2 1⁻-Z⁻, TR31⁻-Z⁻, TR33⁻-Z⁻

Class III equipment (4-20mA loop) supplied by is Class III supply (SELV or PELV)
 $V_{max} \leq DC 30 V$
 $I_{max} 23 mA$



"Warning - Refer to accompanying installation, operating & service instructions for safe and proper usage."

French warning text
 "AVERTISSEMENT: Se référer aux instructions concernant l'installation, le fonctionnement et le service pour une utilisation sûre et correcte."

Notes:

- The power supply for the thermometer with built in transmitter must be made via a limited-energy electrical circuit in accordance with UL/EN/IEC 61010-1, or LPS according to UL/EN/IEC 60950-1, or for North American class 2 in accordance with UL1310/UK/IS85 INECI or in accordance with CAN/CSA C22.2 No. 223-M91 (Class 2 Power Supplies) and CAN/CSA C22.2 No. 66-3-06 (Class 2/Class 3 Transformers). The power supply must be suitable for operation above 2,000 m if the thermometer should be used at this altitude
- No revision to this drawing without prior approval.

WIKA subsidiaries worldwide can be found online at www.wika.com.
WIKA-Niederlassungen weltweit finden Sie online unter www.wika.de.
La liste des filiales WIKA dans le monde se trouve sur www.wika.fr.
La lista de las sucursales WIKA en el mundo puede consultarse en www.wika.es.



Importer for UK
WIKA Instruments Ltd
Unit 6 and 7 Goya Business park
The Moor Road
Sevenoaks
Kent
TN14 5GY
www.wika.de



WIKA Alexander Wiegand
SE & Co. KG
Alexander-Wiegand-Strasse 30
63911 Klingenberg • Germany
Tel. +49 9372 132-0
info@wika.de
www.wika.de