

**Magnetic Float Switch  
for horizontal installation, model HLS**

EN

**Schwimmer-Magnetschalter  
für horizontalen Einbau, Typ HLS**

DE



**Horizontaler Schwimmer-Magnetschalter, Typ HLS  
Horizontal Magnetic Float Switch, model HLS**



## EN Operating Instructions, Model HLS

## DE Betriebsanleitung, Typ HLS

© 2016 WIKA Alexander Wiegand SE & Co. KG

All rights reserved. / Alle Rechte vorbehalten.

WIKA® and KSR® are registered trademarks in various countries.

WIKA® and KSR® sind geschützte Marken in verschiedenen Ländern.

Prior to starting any work, read the operating instructions!

Keep for later use!

Read the operating instructions before starting any work!

Keep them for later use!

Manufacturer contact

Manufactured by



**KSR Kuebler Niveau-Messtechnik GmbH**

Heinrich-Kuebler-Platz 1

69439 Zwingenberg am Neckar • Germany

Tel. +49 6263 87-0

info@ksr-kuebler.com

www.ksr-kuebler.com

Sales contact

Distributed by



**WIKA Alexander Wiegand SE & Co. KG**

Alexander-Wiegand-Straße 30

63911 Klingenberg • Germany

Tel. +49 9372 132-0

info@wika.de

www.wika.de

# Contents

<b>1. General information</b>	<b>4</b>
<b>2. Design and function</b>	<b>5</b>
<b>3. Safety</b>	<b>6</b>
<b>4. Transport, packaging and storage</b>	<b>12</b>
<b>5. Commissioning, operation</b>	<b>13</b>
<b>6. Faults</b>	<b>21</b>
<b>7. Maintenance and cleaning</b>	<b>22</b>
<b>8. Dismounting, return and disposal</b>	<b>23</b>
<b>9. Specifications</b>	<b>24</b>

## 1. General information

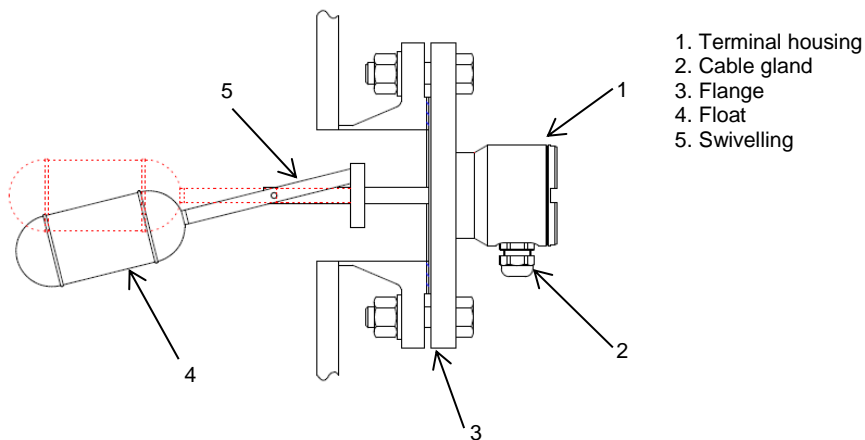
- The horizontal magnetic float switches described in the operating instructions are designed and manufactured in accordance with the current state-of-the-art. During production, all components are subject to strict quality and environmental criteria. Our management systems are certified in accordance with ISO 9001.
- These operating instructions provide information on how to use the unit. Compliance with all specified safety instructions and work instructions are a prerequisite for working safely.
- Compliance with the local applicable accident prevention regulations and general safety regulations for the area of use of the unit is required.
- The operating instructions are a component of the product and must be kept in the immediate vicinity of the unit where they are accessible to the technicians at all times. Pass on the operating instructions to subsequent users or owners of the unit.
- The technicians must read and understand the operating instructions prior to starting any work.
- The general terms and conditions from the sales documents apply.
- Technical changes reserved.
- Additional information:
  - Internet address: [www.ksr-kuebler.com](http://www.ksr-kuebler.com) or [www.wika.com](http://www.wika.com)

## 2. Design and function

### 2.1 Functional description

Horizontal magnetic float switches work on the floating principle with magnetic transmission. The float is attached to a supported, swivelling lever and moves with the level of the medium being measured. When a preset switch point is reached, a reed contact (inert gas contact) within the contact pipe is actuated by the magnet inside the lever. By using a permanent magnet and a reed contact the switching operation is non-contact, free from wear and needs no power supply. The functioning of the horizontal float switch is independent of foaming, conductivity, vapours, bubble formation and vibrations. The signal processing is universal. Direct connection to PLCs, NAMUR connections, signal amplifiers or contact protection relays is possible.

Fig. 1: Type: HLS



### 2.2 Scope of delivery

Compare the contents of the delivery with the delivery slip.

## 3. Safety

### 3.1 Symbols



#### **DANGER!**

... indicates an immediately hazardous situation which might result in death or severe injuries if it is not avoided.



#### **WARNING!**

... indicates an potentially hazardous situation which might result in death or severe injuries if it is not avoided.



#### **CAUTION!**

... indicates an potentially hazardous situation which might result in light or minor injuries or property or environmental damages if it is not avoided.



#### **INFORMATION**

... highlights useful tips and recommendations and information for efficient and fault-free operation.

### 3.2 Proper intended use

The HLS horizontal magnetic float switches are solely intended for monitoring the liquid level of fluids. The area of use is based on the technical performance limits and materials.

- The fluids must not be contaminated nor contain coarse particles nor tend to crystallize. It must be ensured that the magnetic float switch materials that come into contact with the media are sufficiently resistant to the monitored medium. Not suitable for dispersion, abrasive fluids, highly viscous media and paints.
- Compliance with the usage conditions specified in the operating instructions is required.

- Do not operate the unit in direct proximity of ferro-magnetic environments (distance min. 50mm).
- Do not operate the unit in direct proximity of strong electromagnetic fields or in direct proximity of facilities that can be impacted by magnetic fields (distance min. 1m).
- The magnetic float switches may not be subjected to strong mechanical stresses (impact, bending, vibrations). The unit is exclusively designed and constructed for the intended use described here and may only be used accordingly.
- The switching points of the magnetic float switch cannot be adjusted.
- These instructions are intended for technicians who execute the installation and calibration.
- Compliance with the relevant safety regulations for the use is required.
- Compliance with the technical specifications in these operating instructions is required. Improper use or operation of the unit outside the technical specifications requires immediate shut-down and inspection by an authorized WIKA service technician.

Claims of any kind due to improper use are excluded.



**DANGER!**

When working on containers, there is a risk of poisoning or suffocation. Work may only be performed using suitable personal safety equipment (e.g. respiratory protection, protective clothing, etc.).

### 3.3 Improper use

Any use that exceeds the technical performance thresholds or that is incompatible with the materials is considered improper use.



#### **WARNING!**

#### **Injury due to improper use**

Improper use of the unit can result in hazardous situations and injuries.

- Do not modify the unit without authorization
- Do not use the unit in potentially explosive area, unless when marked HLS-X... and installed as simple apparatus according to EN 600079-11 section 5.7.

Any use beyond the proper intended use or any other use is considered improper use.

Do not use this unit in safety or emergency off equipment.

### 3.4 Responsibility of the operator

The unit is used in the industrial sector. The operator is therefore subject to statutory obligations with respect to occupational safety.

Compliance with the safety instructions in these operating instructions and the applicable safety, accident prevention and environmental protection regulations for the area of use of the unit is required.

In order to safely work on the unit, the operator must ensure

- the operating personnel is regularly trained in all matters pertaining to occupational safety, first aid and environmental conservation and is familiar with the operating instructions and, in particular, the safety instructions contained therein
- the unit is suitable for the application in accordance with the proper intended use (check for improper use).

After check, improper use is excluded.



### 3.5 Personnel qualification



#### **WARNING!**

#### **Risk of injury due to insufficient qualifications**

Improper use can result in significant personal injury and property damages.

- The activities described in these operating instructions may only be performed by specialist technicians with the following qualifications.

#### **Specialist personnel**

The specialist personnel authorized by the operator is capable of executing the described work and autonomously detect potential hazards due their technical training, knowledge of measuring and control technology and their experience and knowledge of country-specific regulations, applicable standards and guidelines.

### 3.6 Personal safety equipment

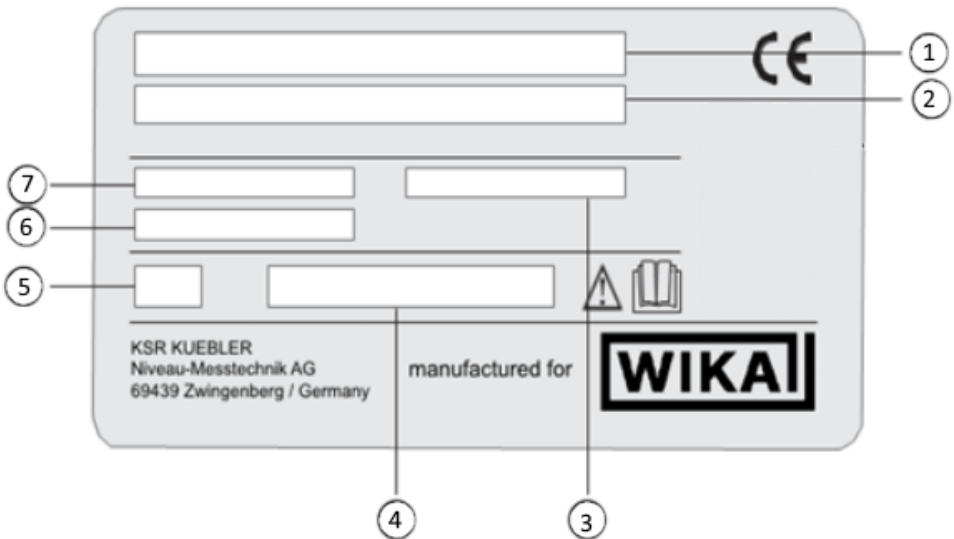
The personal safety equipment serves to protect the technicians against hazards that might impact the safety or health while working. When executing the various tasks on and with the unit, the technicians must wear personal safety equipment.

#### **Comply with warning signs posted in the work area regarding personal safety equipment!**

The required personal safety equipment must be provided by the operator.

## 3.7 Signs, safety markings

### Name plate



1. Model, designation
2. Instrument code
3. Article number
4. Switching power
5. Ingress protection per IEC/EN 60529
6. Tag No
7. Serial number

### Symbols



Before mounting and commissioning the instrument, ensure you read the operating instructions!

## 4. Transport, packaging and storage

### 4.1 Transport

Check the magnetic float switch for potential transport damage. Immediately report obvious damage.



#### **CAUTION!**

#### **Damage due to improper transport**

Improper transport can result in significant property damages.

- When unloading packages upon delivery and for internal facility transport, proceed carefully and comply with the symbols on the packaging.
- For internal facility transport, follow the instructions in Chapter 4.2 “Packaging and storage”

### 4.2 Transport and storage

Remove packaging immediately prior to assembly. Keep the packaging as it provides optimum protection during transport (e.g. changing installation location, repair shipment).

## 5. Commissioning, operation

Comply with all of the instructions on the packaging pertaining to removing the transport locks.

Remove the magnetic float switch from the packaging carefully!

When unpacking, check all parts for external damage.

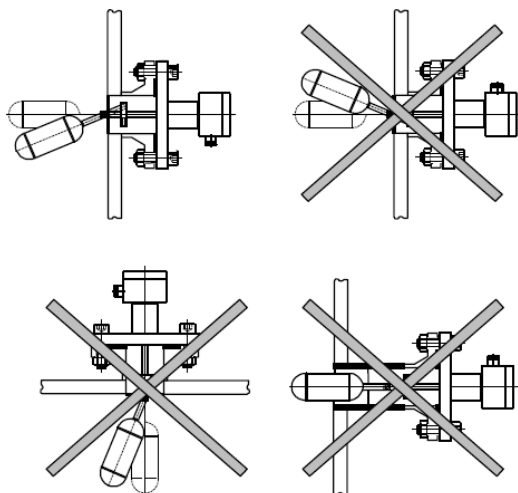
### 5.1 Assembly preparations

- Ensure the sealing surface of the container or the HLS is clean and has no mechanical damage.

### 5.2 Assembly (see Fig. 1: Model HLS)

- Comply with the screw torques defined for pipeline construction.
- When selecting the assembly material (seals, screws, washers and nuts), comply with the process conditions. The seal must be suitable with respect to the measuring material and the vapours it emits. In addition, appropriate corrosion protection must be ensured.
- Install the horizontal magnetic float switch in accordance with the design (flange or threading).
- Magnet-operated float switches for horizontal operation must be installed as shown in fig. 2.
- Use the screws and nuts suitable for the flange for flange types.
- Fit a suitable gasket (4) for sealing. Make sure it is installed in the right position. (The float must be tilted downwards in the unactivated state).
- When installing in the union, make sure that the tilting of the float is not affected.”).

**Figure 2: Installation Type: HLS**



Installation in ferromagnetic supports, negatively impacts the functionality of the switch.

Risk of property damage due to improper switching behaviour of the reed contact.

The horizontal float switch must be installed so the contact tube is outside a ferromagnetic support.

### 5.3 Commissioning

Switch on the supply voltage of the connected control unit, fill the container and check the functionality of the magnetic float switch switching points. The functional test can also be performed manually on a disassembled switch.



Ensure the functionality test does not initiate any unintended processes.

### 5.3.1 Electrical connection



The electrical connection must be established in accordance with the application construction regulations in the country of installation and may only be performed by specialist personnel.

To increase the service life of the contacts, operation using a contact protection relays is recommended.

The electrical connection must be established in accordance with the connection diagram on the respective switch. (Designs with only one opening or closing contact do not have connection diagrams).

The cable bushing (2) on the connection casing (1) must be sealed.

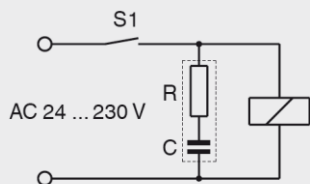


Operating the magnetic float switch on inductive or capacitive loads can result in the destruction of the Reed contact. This can result in a malfunction of the downstream control unit and personal injuries or property damages.

With inductive loads, the magnetic float switches must be protected using an RC link in accordance with the Appendix or a free-wheel diode.

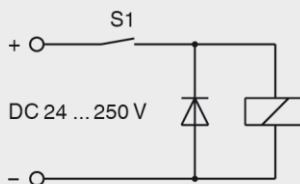
#### Inductive load

AC voltage



#### Inductive load

DC voltage

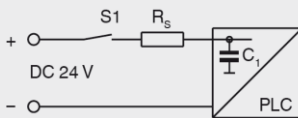




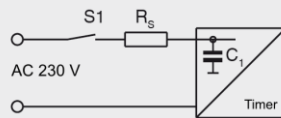
With capacitive loads, cable lengths exceeding 50m or the connection to the process control systems with capacitive inputs, a protective resistance of 22 Ohm or 47 Ohm (for 10VA contacts) must be switched in series in order to limit the peak current.

When connecting to time relays, a resistance of 220 Ohm must be installed in series.

Capacitive load



Electronic timers



An overload of the magnetic float switch may result in the destruction of the installed Reed contact. This can result in a malfunction of the downstream control unit and personal injuries or property damages. Compliance with the maximum values for the switching capacity specified in the “Technical Data” Chapter and in the data sheet HLS... is required.

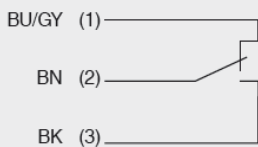


**For horizontal magnetic float switches with a connection cable without a protective ground connection, the switch may conduct current in the event of a malfunction. Touching it can result in severe bodily injury or fatal injuries. These switches can only be operated with protective low voltage in accordance with VDE0100 (e.g. with a KSR contact protection relay) or must be installed so the magnetic float switch is electrically connected to the potential equalizer.**

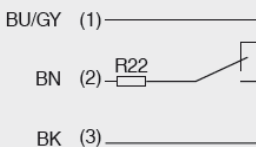
### 5.3.2 Connection diagrams (Colour coding to IEC 757)

#### Reed contact

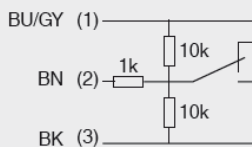
1 switch point



1 switch point  
Wiring for operation  
with a PLC



1 switch point  
NAMUR circuit per DIN  
EN 60947-5-6





### 5.3.3 RC modules for switch protection

Depending on the operating voltage, RC modules should only be used in accordance with the table below.

Other RC modules than those listed here will result in the destruction of the Reed switch.

#### For reed contacts from 10 - 40VA

Capacity	Resistance	Voltage	Type
0.33 $\mu$ F	100 Ohm	24 V ~	A 3/24
0.33 $\mu$ F	220 Ohm	48 V ~	A 3/48
0.33 $\mu$ F	470 Ohm	115 V ~	A 3/115
0.33 $\mu$ F	1500 Ohm	230 V ~	A 3/230

#### For reed contacts from 40 - 100VA

Capacity	Resistance	Voltage	Type
0.33 $\mu$ F	47 Ohm	24 V ~	B 3/24
0.33 $\mu$ F	100 Ohm	48 V ~	B 3/48
0.33 $\mu$ F	470 Ohm	115 V ~	B 3/115
0.33 $\mu$ F	820 Ohm	230 V ~	B 3/230



## 6. Faults



The most frequent root causes and required countermeasures are listed in the following table.

Fault	Cause	Measure
<b>No or undefined switching function</b>	Incorrect PIN assignment	Comparison with connection diagram
	Temperature contact defective	Return shipment to the factory
	Reed contact mechanically or electrically defective	Return shipment to the factory
<b>Magnetic float switch cannot be mounted at the intended position in the container.</b>	Process connection of the magnetic float switch and container are not compatible	Modification of the container
		Modification of the magnetic float switch at the factory



### CAUTION!

#### **Bodily injuries, property and environmental damages**

If faults cannot be rectified with the help of the listed measures, immediately shut the unit off.

- Ensure the pressure is switched off and secure the unit against unintentionally being switched on.
- Contact the manufacturer.
- If return shipment is necessary, follow the instructions in Chapter 8.2 "Return Shipment".

## 7. Maintenance and cleaning

### 7.1 Maintenance

Horizontal magnetic float switches HLS do not require maintenance if operated properly.

They must, however, be subjected to regular visual inspections in the framework of regulator inspections and the pressure of the container must be checked. (The test pressure must not exceed the value indicated on the type plate!)



#### **DANGER!**

When working on containers, there is a risk of poisoning or suffocation. Work may only be performed using suitable personal safety equipment (e.g. respiratory protection, protective clothing, etc.).



#### **NOTICE!**

Fault-free functionality of the magnetic float switch can only be guaranteed if original KSR Kuebler accessories and spare parts are used.

## 7.2 Cleaning



### **CAUTION!**

#### **Bodily injuries, property and environmental damages**

Improper cleaning may result in bodily injuries, property and environmental damages. Measurement material residues in the disassembled unit can result in risks to persons, the environment and equipment.

- Flush and clean the disassembled unit.
  - Implement sufficient precautionary measures.
1. Prior to cleaning the unit, properly disconnect it from the process and the power supply.
  2. Carefully clean the unit with a damp cloth.
  3. Do not let electrical connections come into contact with moisture!



### **CAUTION!**

#### **Property damage**

Improper cleaning will damage the unit!

- Do not use any aggressive cleaning agents.
- Do not use any hard or sharp objects for cleaning.

## 8. Dismounting, return and disposal



### **WARNING!**

#### **Bodily injuries, property and environmental damages due to measuring material residues**

Measuring material residues in a disassembled unit can result in risks to persons, the environment and equipment.

- Wear the necessary protective equipment
- Flush and clean the disassembled unit in order to protect persons and the environment from risks posed by adhering measuring material residues.

### **8.1 Disassembly**

Only disassemble the measuring unit when it has been disconnected from the pressure and voltage!

If necessary, the container must be relaxed.

### **8.2 Return shipment**

Use the original packaging or suitable transport packing for the return shipment of the unit.

Instructions for return shipment can be found in the “Service” section on our local website.

### **8.3 Disposal**

Incorrect disposal can result in risks to the environment.

Dispose of unit components and packaging materials in an environmentally compatible manner in accordance with the country-specific waste management and disposal regulations.

## 9. Technical data

### 9.1 Type code

Field No.	Code	Description
<b>Design</b>		
1	S	Standard (Metal housing)
	P	Plastic housing
	X	Special
<b>Electrical connection</b>		
2	A	Connection housing / plug > 50V (Low voltage)
	B	Connection housing / plug < 50V (Protective extra low voltage)
	E	Cable < 50V (Low voltage)
	F	Cable > 50V (Protective extra low voltage)
<b>Approval</b>		
3		Without approval
	I	ATEX Ex i
	D	ATEX Ex d
	G	DNV-GL
	A	ABS (American Bureau of Shipping)

## 9.2 Switching power

### Closing

Max. AC 230 V; 40 VA; 1 A

Max. DC 230 V; 20 W; 0,5 A

### Opening

Max. AC 230 V; 40 VA; 1 A

Max. DC 230 V; 20 W; 0,5 A

### Change-over

Max. AC 230 V; 40 VA; 1 A

Max. DC 230 V; 20 W; 0,5 A

## Models HLS-X...

The models HLS-X... are not covered by the above given information. The applicable switching power is stated on the nameplate.

Switching power when installed as simple apparatus per EN 60079-11 section 5.7:

max. AC/DC 36 V; 100 mA

## 9.3 Limits of use

- Operating temperature:  $T = -120 \dots +350 \text{ }^{\circ}\text{C}$
- Operating pressure:  $P = \text{vacuum up to } 232 \text{ bar}$

Detailed information about magnetic float switches can be found separately in the following data sheets:

- Magnetic float switch; Model HLS; see data sheet HLS





# Inhalt

<b>1. Allgemeines</b>	<b>27</b>
<b>2. Aufbau und Funktion</b>	<b>28</b>
<b>3. Sicherheit</b>	<b>29</b>
<b>4. Transport, Verpackung und Lagerung</b>	<b>35</b>
<b>5. Inbetriebnahme, Betrieb</b>	<b>36</b>
<b>6. Störungen</b>	<b>44</b>
<b>7. Wartung und Reinigung</b>	<b>45</b>
<b>8. Demontage, Rücksendung und Entsorgung</b>	<b>46</b>
<b>9. Technische Daten</b>	<b>47</b>

## 1. Allgemeines

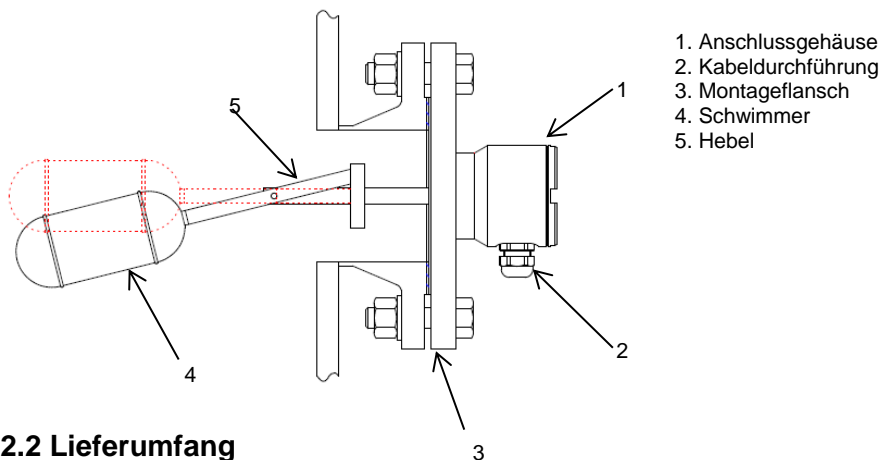
- Die in der Betriebsanleitung beschriebenen Schwimmer-Magnetschalter werden nach dem aktuellen Stand der Technik konstruiert und gefertigt. Alle Komponenten unterliegen während der Fertigung strengen Qualitäts- und Umweltkriterien. Unsere Managementsysteme sind nach ISO 9001 zertifiziert.
- Diese Betriebsanleitung gibt wichtige Hinweise zum Umgang mit dem Gerät. Voraussetzung für sicheres Arbeiten ist die Einhaltung aller angegebenen Sicherheitshinweise und Handlungsanweisungen.
- Die für den Einsatzbereich des Gerätes geltenden örtlichen Unfallverhütungsvorschriften und allgemeinen Sicherheitsbestimmungen einhalten.
- Die Betriebsanleitung ist Produktbestandteil und muss in unmittelbarer Nähe des Gerätes für das Fachpersonal jederzeit zugänglich aufbewahrt werden. Betriebsanleitung an nachfolgende Benutzer oder Besitzer des Gerätes weitergeben.
- Das Fachpersonal muss die Betriebsanleitung vor Beginn aller Arbeiten sorgfältig durchgelesen und verstanden haben.
- Es gelten die allgemeinen Geschäftsbedingungen in den Verkaufsunterlagen.
- Technische Änderungen vorbehalten.
- Weitere Informationen:
  - Internet-Adresse: [www.ksr-kuebler.com](http://www.ksr-kuebler.com) oder [www.wika.de](http://www.wika.de)

## 2. Aufbau und Funktion

### 2.1 Funktionsbeschreibung

Horizontale Schwimmer-Magnetschalter arbeiten nach dem Schwimmerprinzip. Der Schwimmer ist an einem drehbar gelagerten Hebel befestigt und bewegt sich mit dem Füllstand des zu messenden Mediums. Durch einen Permanentmagnet, der am Ende des Hebels angebracht ist, wird beim Erreichen eines vorgegebenen Schaltpunktes ein Reedkontakt (Schutzgaskontakt) im Innern des Kontaktrohrs betätigt. Durch die Verwendung von Permanentmagnet und Reedkontakt erfolgt der Schaltvorgang berührungslos, verschleißfrei und ohne Hilfsenergie. Die Funktion des Schwimmerschalters ist unabhängig von Schaumbildung, Leitfähigkeit, Dämpfen, Blasenbildung und Vibrationen. Die Signalverarbeitung erfolgt universell. Ein direkter Anschluss an SPS, NAMUR-Beschaltungen, Signalverstärker bzw. Kontaktschutzrelais ist möglich.

Fig. 1: Typ: HLS



### 2.2 Lieferumfang

Lieferumfang mit dem Lieferschein abgleichen.

## 3. Sicherheit

### 3.1 Symbolerklärung



#### **GEFAHR!**

... weist auf eine unmittelbar gefährliche Situation hin, die zum Tod oder zu schweren Verletzungen führt, wenn sie nicht gemieden wird.



#### **WARNUNG!**

... weist auf eine möglicherweise gefährliche Situation hin, die zum Tod oder zu schweren Verletzungen führen kann, wenn sie nicht gemieden wird.



#### **VORSICHT!**

... weist auf eine möglicherweise gefährliche Situation hin, die zu geringfügigen oder leichten Verletzungen bzw. Sach- und Umweltschäden führen kann, wenn sie nicht gemieden wird.



#### **INFORMATION**

... hebt nützliche Tipps und Empfehlungen sowie Informationen für einen effizienten und störungsfreien Betrieb hervor.

### 3.2 Bestimmungsgemäße Verwendung

Die Schwimmer-Magnetschalter HLS dienen ausschließlich der Füllstandsüberwachung von flüssigen Medien. Der Einsatzbereich ergibt sich aus den technischen Leistungsgrenzen und Werkstoffen.

- Die Flüssigkeiten dürfen keine starken Verschmutzungen oder Grobteile aufweisen und nicht zum Auskristallisieren neigen. Es ist sicherzustellen, dass die medienberührenden Werkstoffe des Schwimmer-Magnetschalters gegen das zu überwachende Medium ausreichend beständig sind. Nicht geeignet für Dispersion, abrasive Flüssigkeiten, hochviskose Medien und Farben.
- Die in der Betriebsanleitung angegebenen Einsatzbedingungen sind einzuhalten
- Gerät nicht in unmittelbarer Nähe von ferromagnetischer Umgebung (Abstand min. 50 mm) betreiben
- Gerät nicht in unmittelbarer Nähe von starken elektromagnetischen Feldern bzw. in unmittelbarer Nähe von Einrichtungen betreiben, die durch Magnetfelder beeinflusst werden können (Abstand min. 1 m).
- Die Schwimmer-Magnetschalter dürfen keinen starken mechanischen Belastungen (Stoß, Verbiegen, Vibrationen) ausgesetzt werden. Das Gerät ist ausschließlich für den hier beschriebenen bestimmungsgemäßen Verwendungszweck konzipiert und konstruiert und darf nur dementsprechend verwendet werden.
- Die Schaltpunkte der Schwimmer-Magnetschalter können nicht verstellt werden.
- Diese Anleitung richtet sich an Fachkräfte, die den Einbau, die Installation und das Einrichten ausführen.
- Für den Einsatz sind die einschlägigen Sicherheitsvorschriften zu beachten.
- Die technischen Spezifikationen in dieser Betriebsanleitung sind einzuhalten. Eine unsachgemäße Handhabung oder ein Betreiben des Gerätes außerhalb der technischen Spezifikationen macht die sofortige Stilllegung und Überprüfung durch einen autorisierten WIKA-Servicemitarbeiter erforderlich.

Ansprüche jeglicher Art aufgrund von nicht bestimmungsgemäßer Verwendung sind ausgeschlossen.



### **GEFAHR!**

Beim Arbeiten an Behältern, besteht Vergiftungs- oder Erstickungsgefahr. Arbeiten dürfen nur unter Anwendung geeigneter Personenschutzmaßnahmen (z. B. Atemschutzgerät, Schutzkleidung o. Ä.) durchgeführt werden.

### **3.3 Fehlgebrauch**

Als Fehlgebrauch gilt jede Verwendung, die die technischen Leistungsgrenzen überschreitet oder mit den Werkstoffen unverträglich ist.



### **WARNUNG!**

#### **Verletzungen durch Fehlgebrauch**

Fehlgebrauch des Gerätes kann zu gefährlichen Situationen und Verletzungen führen.

- Eigenmächtige Umbauten am Gerät unterlassen
- Gerät nicht in explosionsgefährdeten Bereichen einsetzen, ausser wenn als HLS-X... markiert und als einfaches elektrisches Betriebsmittel gemäß EN 600079-11 Absatz 5.7 eingesetzt.

Jede über die bestimmungsgemäße Verwendung hinausgehende oder andersartige Benutzung gilt als Fehlgebrauch.

Dieses Gerät nicht in Sicherheits- oder in Not-Aus-Einrichtungen benutzen.

### 3.4 Verantwortung des Betreibers

Das Gerät wird im gewerblichen Bereich eingesetzt. Der Betreiber unterliegt daher den gesetzlichen Pflichten zur Arbeitssicherheit.

Die Sicherheitshinweise dieser Betriebsanleitung, sowie die für den Einsatzbereich des Gerätes gültigen Sicherheits-, Unfallverhütungs- und Umweltschutzvorschriften einhalten.

Für ein sicheres Arbeiten am Gerät muss der Betreiber sicherstellen,

- dass das Bedienpersonal regelmäßig in allen zutreffenden Fragen von Arbeitssicherheit, Erste Hilfe und Umweltschutz unterwiesen wird, sowie die Betriebsanleitung und insbesondere die darin enthaltenen Sicherheitshinweise kennt.
- dass das Gerät gemäß der bestimmungsgemäßen Verwendung für den Anwendungsfall geeignet ist (Prüfung auf Fehlgebrauch).

Nach Prüfung ist ein Fehlgebrauch ausgeschlossen.

### 3.5 Personalqualifikation



#### **WARNUNG!**

#### **Verletzungsgefahr durch unzureichende Qualifikation**

Unsachgemäßer Umgang kann zu erheblichen Personen- und Sachschäden führen. Die in dieser Betriebsanleitung beschriebenen Tätigkeiten nur durch Fachpersonal nachfolgend beschriebener Qualifikationen durchführen lassen.

#### **Fachpersonal**

Das vom Betreiber autorisierte Fachpersonal ist aufgrund seiner fachlichen Ausbildung, seiner Kenntnisse der Mess- und Regelungstechnik und seiner Erfahrungen sowie Kenntnis der landesspezifischen Vorschriften, geltenden Normen und Richtlinien in der Lage, die beschriebenen Arbeiten auszuführen und mögliche Gefahren selbständig zu erkennen.

### **3.6 Persönliche Schutzausrüstung**

Die persönliche Schutzausrüstung dient dazu, das Fachpersonal gegen Gefahren zu schützen, die dessen Sicherheit oder Gesundheit bei der Arbeit beeinträchtigen könnten. Beim Ausführen der verschiedenen Arbeiten an und mit dem Gerät muss das Fachpersonal persönliche Schutzausrüstung tragen.

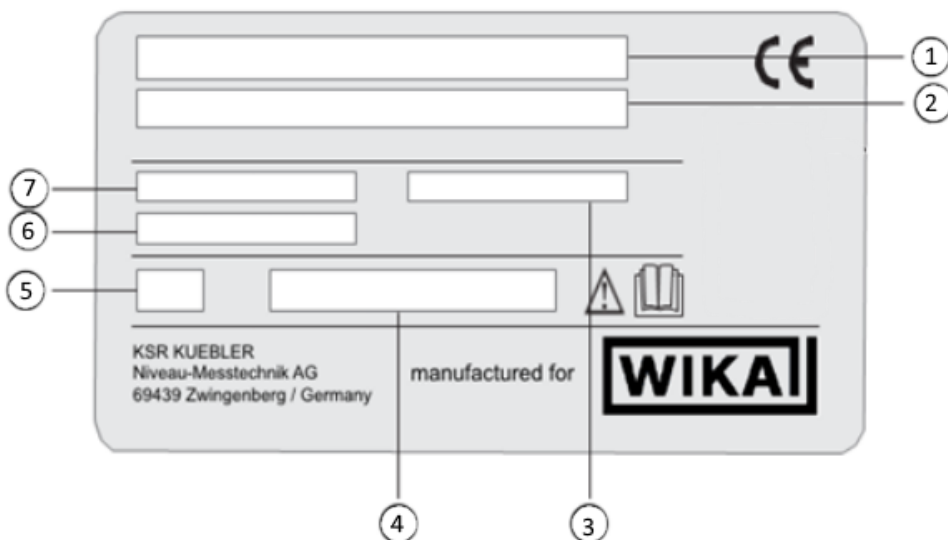
#### **Im Arbeitsbereich angebrachte Hinweise zur persönlichen Schutzausrüstung befolgen!**

Die erforderliche persönliche Schutzausrüstung muss vom Betreiber zur Verfügung gestellt werden.



## 3.7 Beschilderung, Sicherheitskennzeichnung

### Typenschild (Beispiele)



1. Typ, Bezeichnung
2. Gerätecodierung
3. Artikelnummer
4. Schaltleistungen
5. Schutzart nach IEC/EN 60529
6. Messstellenummer
7. Seriennummer

### Symbole



Vor Montage und Inbetriebnahme des Gerätes unbedingt die Betriebsanleitung lesen!

## 4. Transport, Verpackung und Lagerung

### 4.1 Transport

Schwimmer – Magnetschalter auf eventuell vorhandene Transportschäden untersuchen.  
Offensichtliche Schäden unverzüglich melden.



#### **VORSICHT!**

#### **Beschädigung durch unsachgemäßen Transport**

Bei unsachgemäßem Transport können Sachschäden in erheblicher Höhe entstehen.

- Beim Abladen der Packstücke bei Anlieferung sowie innerbetrieblichem Transport vorsichtig vorgehen und die Symbole auf der Verpackung beachten.
- Bei innerbetrieblichem Transport die Hinweise unter Kapitel 4.2. „Verpackung und Lagerung“ beachten

### 4.2 Verpackung und Lagerung

Verpackung erst unmittelbar vor der Montage entfernen. Die Verpackung aufbewahren, denn diese bietet bei einem Transport einen optimalen Schutz (z.B. wechselnder Einbauort, Reparatursendung).

## 5. Inbetriebnahme, Betrieb

Alle auf der Versandverpackung angegebenen Hinweise zum Entfernen der Transportsicherungen beachten.

Den Schwimmer-Magnetschalter vorsichtig aus der Verpackung entnehmen!

Beim Auspacken alle Teile auf äußerliche Beschädigungen überprüfen.

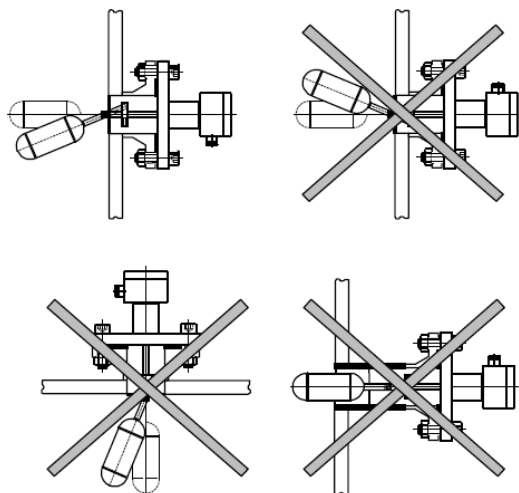
### 5.1 Montagevorbereitungen

- Sicherstellen, dass die Dichtfläche des Behälters bzw. des HLS sauber sind und keine mechanische Beschädigung aufweisen.

### 5.2 Montage (siehe dazu Fig. 1: Typ HLS)

- Die im Rohrleitungsbau vorgeschriebenen Drehmomentwerte der Schrauben einhalten.
- Bei der Auswahl des Montagematerials (Dichtungen, Schrauben, Unterlegscheiben und Muttern) die Prozessbedingungen beachten. Die Eignung der Dichtung muss hinsichtlich des Messstoffs und dessen Dämpfe gegeben sein. Zusätzlich ist auf entsprechende Korrosionsbeständigkeit zu achten.
- KSR Schwimmer-Magnetschalter entsprechend der Ausführung (Flansch [3]) einbauen.
- Schwimmer-Magnetschalter für horizontale Einbaulage sind gemäß Fig.2 einzubauen.
- Es ist auf korrekte Einbaulage zu achten. (Der Schwimmer muss im unbetätigten Zustand nach unten gekippt sein).
- Beim Einbau in Stutzen muss gewährleistet sein, dass der Schwimmer in seiner Kippbewegung nicht beeinträchtigt wird.

**Fig. 2: Einbaulage Typ: HLS**



Beim Einbau in ferromagnetische Stützen wird die Funktionsfähigkeit des Schalters beeinträchtigt.  
Gefahr von Sachschäden durch fehlerhaftes Schaltverhalten des Reedkontaktes.

Der horizontale Schwimmerschalter ist so einbauen, dass sich das Kontaktrohr außerhalb eines ferromagnetischen Stützens befindet.

### 5.3 Inbetriebnahme

Versorgungsspannung der angeschlossenen Steuerungseinrichtung einschalten, Behälter füllen und die Schaltpunkte des Schwimmer-Magnetschalters auf Funktion prüfen. Die Funktionsprüfung kann auch manuell bei ausgebautem Schalter erfolgen.



Es ist sicherzustellen, dass durch die Funktionsprüfung keine unbeabsichtigten Prozessabläufe eingeleitet werden.

### 5.3.1 Elektrischer Anschluss



Der elektrische Anschluss ist entsprechend den im Errichtungsland geltenden Errichtungsbestimmungen durchzuführen und darf nur von Fachpersonal durchgeführt werden.

Zur Erhöhung der Lebensdauer der Kontakte wird der Betrieb an einem Kontaktschutzrelais empfohlen.

Der elektrische Anschluss ist entsprechend dem jeweiligen am Schalter angebrachten Anschlussschema vorzunehmen. (Ausführungen mit nur einem Öffner- oder Schließerkontakt enthalten kein Anschlussschema.)

Die Kabeldurchführung (2) am Anschlussgehäuse (1) ist abzudichten.

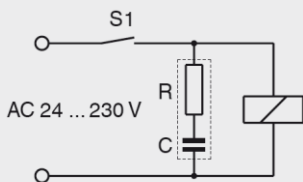


Der Betrieb der Schwimmer-Magnetschalter an induktiver oder kapazitiver Last kann eine Zerstörung des Reedkontaktes zur Folge haben. Dies kann zu einer Fehlfunktion der nachgeschalteten Steuerung und zu Personen- oder Sachschäden führen.

Bei induktiver Belastung sind die Schwimmer-Magnetschalter durch Beschaltung mit einem RC Glied gem. Anhang bzw. einer Freilaufdiode zu schützen.

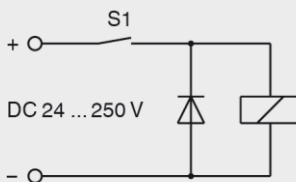
#### Induktive Last

Wechselspannung AC



#### Induktive Last

Gleichspannung DC

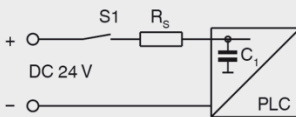




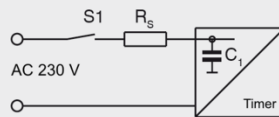
Bei kapazitiver Belastung, Leitungslängen über 50 m oder dem Anschluss an Prozessleitsystemen mit kapazitivem Eingang ist zur Begrenzung des Spitzenstromes ein Schutzwiderstand von 22 Ohm bzw. 47 Ohm (bei 10VA-Kontakten) in Serie zu schalten.

Bei Anschluss an elektronische Zeitrelais muss ein Widerstand von 220 Ohm in Serie geschaltet werden.

Kapazitive Last



Elektronische Timer



Eine Überlastung des Schwimmer-Magnetschalters kann eine Zerstörung des eingebauten Reedkontaktes zur Folge haben. Dies kann zu einer Fehlfunktion der nachgeschalteten Steuerung und zu Personen- oder Sachschäden führen. Die im Kapitel "Technische Daten" und im KSR-Datenblatt HLS... angegebenen Maximalwerte für die Schaltleistung sind einzuhalten.

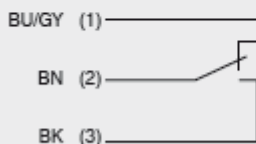


**Bei Schwimmer-Magnetschaltern mit Anschlusskabel ohne Schutzleiteranschluss kann der Schalter im Fehlerfall spannungsführend sein. Bei Berührung können schwere Körperschäden oder tödliche Verletzungen auftreten. Diese Schalter dürfen nur an Schutzkleinspannung nach VDE0100 betrieben werden (z.B. an einem KSR-Kontaktschutzrelais) oder sind so zu montieren, dass der Schwimmer-Magnetschalter mit dem Potentialausgleich elektrisch verbunden ist.**

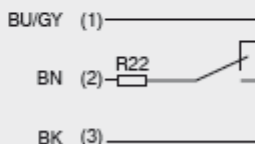
### 5.3.2 Anschlussbilder (gem. Farbkennzeichnung nach IEC 757)

#### Reedkontakt

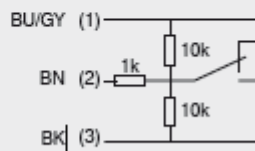
1 Schaltpunkt



1 Schaltpunkt  
Beschriftung für  
Betrieb an SPS



1 Schaltpunkt  
NAMUR-Schaltung nach  
DIN EN 60947-5-6



### 5.3.3 RC-Glieder zur Schutzbeschaltung

RC-Glieder sind, je nach Betriebsspannung, ausschließlich entsprechend untenstehender Tabelle zu verwenden.

Andere als die hier aufgeführten RC-Glieder führen zur Zerstörung des Reedswitchers.

#### Für Reedkontakte von 10 - 40VA

Kapazität	Widerstand	Spannung	Typ
0,33 $\mu$ F	100 Ohm	24 V ~	A 3/24
0,33 $\mu$ F	220 Ohm	48 V ~	A 3/48
0,33 $\mu$ F	470 Ohm	115 V ~	A 3/115
0,33 $\mu$ F	1500 Ohm	230 V ~	A 3/230

#### Für Reedkontakte von 40 - 100VA

Kapazität	Widerstand	Spannung	Typ
0,33 $\mu$ F	47 Ohm	24 V ~	B 3/24
0,33 $\mu$ F	100 Ohm	48 V ~	B 3/48
0,33 $\mu$ F	470 Ohm	115 V ~	B 3/115
0,33 $\mu$ F	820 Ohm	230 V ~	B 3/230





## 6. Störungen



In der folgenden Tabelle sind die häufigsten Fehlerursachen und die erforderlichen Gegenmaßnahmen aufgeführt.

Fehler	Ursache	Maßnahme
<b>Keine oder undefinierte Schaltfunktion</b>	Falsche PIN-Belegung	Vergleich mit Anschlussbild
	Temperaturkontakt defekt	Rücksendung ans Werk
	Reedkontakt durch mechanische oder elektrisch defekt	Rücksendung ans Werk
<b>Schwimmer – Magnetschalter lässt sich nicht an der vorgesehenen Stelle im Behälter befestigen</b>	Prozessanschluss von Schwimmer-Magnetschalter und Behälter stimmen nicht überein	Umbau des Behälters
		Umbau des Schwimmer-Magnetschalters im Werk.

### VORSICHT!



#### **Körperverletzungen, Sach- und Umweltschäden**

Können Störungen mit Hilfe der aufgeführten Maßnahmen nicht beseitigt werden, Gerät unverzüglich außer Betrieb setzen.

- Sicherstellen, dass kein Druck mehr anliegt und gegen versehentliche Inbetriebnahme schützen.
- Kontakt mit dem Hersteller aufnehmen.
- Bei notwendiger Rücksendung die Hinweise unter Kapitel 8.2 „Rücksendung“ beachten.

## 7. Wartung und Reinigung

### 7.1 Wartung

Schwimmer-Magnetschalter HLS arbeiten bei bestimmungsgemäßen Gebrauch wartungsfrei.

Sie sind jedoch im Rahmen der regelmäßigen Revision einer Sichtkontrolle zu unterziehen und in die Druckprüfung des Behälters mit einzubeziehen. (Der Prüfdruck darf den angegebenen Wert auf dem Typschild nicht übersteigen!)



#### **GEFAHR!**

Beim Arbeiten an Behältern, besteht Vergiftungs- oder Erstickungsgefahr. Arbeiten dürfen nur unter Anwendung geeigneter Personenschutzmaßnahmen (z.B. Atemschutz gerät, Schutzkleidung o.Ä.). durchgeführt werden.



#### **HINWEIS!**

Eine einwandfreie Funktion des Schwimmer-Magnetschalters kann nur bei Verwendung von Original KSR Kuebler Zubehör und Ersatzteilen garantiert werden

## 7.2 Reinigung



### **VORSICHT!**

#### **Körperverletzungen, Sach- und Umweltschäden**

Eine unsachgemäße Reinigung führt zu Körperverletzungen, Sach- und Umweltschäden. Messstoffreste im ausgebauten Gerät können zur Gefährdung von Personen Umwelt und Einrichtung führen. Sach- und Umweltschäden. Messstoffreste im ausgebauten Gerät können zur Gefährdung von Personen Umwelt und Einrichtung führen.

- Ausgebautes Gerät spülen bzw. säubern.
  - Ausreichende Vorsichtsmaßnahmen sind zu ergreifen.
1. Vor der Reinigung das Gerät ordnungsgemäß vom Prozess und der Stromversorgung trennen.
  2. Das Gerät vorsichtig mit einem feuchten Tuch reinigen.
  3. Elektrische Anschlüsse nicht mit Feuchtigkeit in Berührung bringen!



### **VORSICHT!**

#### **Sachbeschädigung**

Eine unsachgemäße Reinigung führt zur Beschädigung des Gerätes!

- Keine aggressiven Reinigungsmittel verwenden.
- Keine harten und spitzen Gegenstände zur Reinigung verwenden.

## 8. Demontage, Rücksendung und Entsorgung



### **WARNUNG!**

#### **Körperverletzung, Sach- und Umweltschäden durch Messstoffreste**

Messstoffreste im ausgebauten Gerät können zur Gefährdung von Personen, Umwelt und Einrichtung führen.

- Notwendige Schutzausrüstung tragen
- Ausgebautes Gerät spülen bzw. säubern, um Personen und Umwelt vor Gefährdung durch anhaftende Messstoffreste zu schützen.

### 8.1 Demontage

Messgerät nur im drucklosen und spannungsfreiem Zustand demontieren!

Gegebenenfalls muss der Behälter entspannt werden.

### 8.2 Rücksendung

Zur Rücksendung des Gerätes die Originalverpackung oder eine geeignete Transportverpackung verwenden.

Hinweise zur Rücksendung befinden sich in der Rubrik „Service“ auf unserer lokalen Internetseite.

### 8.3 Entsorgung

Durch falsche Entsorgung können Gefahren für die Umwelt entstehen.

Gerätekomponenten und Verpackungsmaterialien entsprechend den landesspezifischen Abfallbehandlungs- und Entsorgungsvorschriften umweltgerecht entsorgen.

## 9. Technische Daten

### HLS

#### Schließer

Max. AC 230 V; 40 VA; 1 A

Max. DC 230 V; 20 W; 0,5 A

#### Öffner

Max. AC 230 V; 40 VA; 1 A

Max. DC 230 V; 20 W; 0,5 A

#### Umschalter

Max. AC 230 V; 40 VA; 1 A

Max. DC 230 V; 20 W; 0,5 A

#### Typen HLS-X...

Die in der Tabelle angegebenen Schaltleistungen gelten nicht für die Typen HLS-X... . Es gelten die auf dem Typenschild aufgedruckte Schaltleistung.

Schaltleistung bei Einbau als einfaches elektrisches Betriebsmittel nach EN 60079-11 Abschnitt 5.7 gelten folgende Schaltleistungen:

max. AC/DC 36V; 100mA

## 9.1 Typenschlüssel

Feld-Nr.	Code	Ausführung
<b>Ausführung</b>		
1	S	Standard (Metall-Gehäuse)
	P	Kunststoff-Gehäuse
	X	Sonder
<b>Elektrischer Anschluss</b>		
2	A	Anschlussgehäuse / Stecker > 50V (Niederspannung)
	B	Anschlussgehäuse / Stecker < 50V (Schutzkleinspannung)
	E	Kabel < 50V (Schutzkleinspannung)
	F	Kabel > 50V (Niederspannung)
<b>Zulassung</b>		
3		Ohne Zulassung
	I	ATEX Ex i
	D	ATEX Ex d
	G	DNV-GL
	A	ABS (American Bureau of Shipping)

## 9.2 Einsatzgrenzen

- Betriebstemperatur:  $T = -120 \dots +350 \text{ °C}$
- Betriebsdruck:  $P = \text{Vakuum bis } 232 \text{ bar}$

Detaillierte Informationen über Schwimmer-Magnetschalter sind den folgenden Datenblättern separat zu entnehmen:

- Schwimmer-Magnetschalter; Typ HLS; siehe Datenblatt HLS



KSR Kuebler subsidiaries worldwide can be found online at [www.ksr-kuebler.com](http://www.ksr-kuebler.com).  
WIKA subsidiaries worldwide can be found online at [www.wika.com](http://www.wika.com).

Importer UK



**WIKA Instruments Ltd**

Unit 6 and 7 Goya Business Park  
The Moor Road  
Sevenoaks  
Kent  
TN14 5GY  
Tel. +44 1737 644008  
[info@wika.co.uk](mailto:info@wika.co.uk)  
[www.wika.co.uk](http://www.wika.co.uk)

Manufacturer contact  
hergestellt von



**KSR Kuebler Niveau-Messtechnik GmbH**

Heinrich-Kuebler-Platz 1  
69439 Zwingenberg am Neckar • Germany  
Tel. +49 6263 87-0  
[info@ksr-kuebler.com](mailto:info@ksr-kuebler.com)  
[www.ksr-kuebler.com](http://www.ksr-kuebler.com)

Sales contact  
Vertrieb durch



**WIKAL Alexander Wiegand SE & Co. KG**

Alexander-Wiegand-Straße 30  
63911 Klingenberg • Germany  
Tel. +49 9372 132-0  
[info@wika.de](mailto:info@wika.de)  
[www.wika.de](http://www.wika.de)